

ACCESSORY MOUNTS

DRINK HOLDERS	62
DEVICE MOUNTING SYSTEMS	64
ACCESSORY CLOCKS & GAUGES	68



DRINK HOLDERS



1500



1459



1487



1486

BEVERAGE CARRIER

Upgrade your Universal Drink Ring to accept most cups, cans or bottles. Easy on, easy off snap design that is also collapsible for storage. Made from PVC leather & works with any "ring" style drink holder.

1459 Beverage Carrier Only (ea) \$9.99

BEVERAGE CARRIER PLUS MOUNT

Need the whole package...something to hold your drink & the mount? Choose from the options below & you'll be set.

1460	Snap-N-Go Drink Ring with Beverage Carrier (ea) Fits: Universal Perch Mount or 1" Bar Applications	\$35.99
1488	Universal Drink Ring for 1" Bar with Beverage Carrier (ea)	\$49.99
1489	Universal Drink Ring for 1-1/4" Bar with Beverage Carrier (ea)	\$49.99
1500	Universal Drink Ring with Beverage Carrier (ea) Fits: All '82-'12 H-D Model Clutch or Brake Perch Mounts	\$59.99

SNAP-N-GO™ DRINK HOLDER

Even if you're wearing a full set of leathers you still shouldn't ride with a cup of hot coffee between your legs. These affordable drink holders mount on either the clutch or brake perch mounts or a 1" bar. With secure snap-on mounting, simply "snap-N-go" to install or remove! When removed it leaves an unobtrusive stud on your perch or a small clamp & stud for universal bar application. Select the drink holder style you desire & ride with the plush comforts you deserve.

Fits: All '82-'12 H-D Models (Includes 1" Bar Mount & Perch Mount)

1486	Snap-N-Go with Stainless Steel Mug (ea)	\$39.99
1487	Snap-N-Go with Universal Basket (ea)	\$39.99
1469	Replacement Stainless Steel Travel Mug (ea)	\$18.99

Note: P/N 1487 accepts beverage containers from 2-3/8" to 3-1/2" in diameter. Clutch Perch & 1" Bar Clamp Mount included

INCLUDES 1" BAR MOUNT & PERCH MOUNT!



1482



1493



1485

PASSENGER DRINK HOLDER FOR ULTRA CLASSIC

Patent Pending

Now you & your passenger can go the extra miles! These non-intrusive & easy to reach drink holders are ready for your favorite beverage. Chrome-plated to be durable & made to last.

Fits: '98-'12 FLHTCU, '10-'12 FLHTK, '11-'12 FLTRU, '08-'12 FLHTCUSE, '11 FLTRUSE, & '09-'12 FLHTCUTG

1482	Passenger Drink Holder w/Basket - Right Side (ea)	\$69.99
1689	Passenger Drink Holder w/Basket - Left Side (ea)	\$69.99 NEW
1493	Passenger Drink Holder w/Stainless Mug - Right Side (ea)	\$69.99

Note: Will also fit other '98-'12 Touring Models if equipped with Accessory Rear Speaker Kit.

PASSENGER DRINK HOLDERS

FOR GRAB RAILS

There's nothing better than a hot cup of coffee on a cold morning or an ice-cold bottle of water on a hot summer day. Fasten securely to passenger grab rails & are offered in 2 styles.

Fits: 1/2" diameter passenger grab rails on Electra Glides, Tour Glides, & Trikes universally on any 1/2", 5/8", or 3/4" tubing

1484	With Basket (ea)	\$64.99
1485	With Stainless Mug (ea)	\$64.99

Note: For Replacement Cups & Baskets see pg 63.



Top Seller

UNIVERSAL DRINK HOLDERS

Bring your beverage with you on those hot or cold days! Mount your drink holder either on your handlebars or your clutch or brake perch mounts. The quick detach thumb screw mount leaves a simple clamp when not in use. Choose either the Universal Basket Holder or Stainless Mug with Mounting Ring to hold your beverage.

WITH BASKET

I422	Fits: 1" Bars (ea)	\$59.99
I475	Fits: 1-1/4" Bars (ea)	\$59.99
I462	Fits: All '82-'12 H-D Model Clutch or Brake Perch Mounts (ea)	\$69.99
I429	Replacement Basket for Drink Holder (ea)	\$20.99

WITH STAINLESS STEEL MUG

I464	Fits: 1" Bars (ea)	\$59.99
I477	Fits: 1-1/4" Bars (ea)	\$59.99
I463	Fits: All '82-'12 H-D Model Clutch or Brake Perch Mounts (ea)	\$69.99
I469	Replacement Stainless Steel Travel Mug (ea)	\$18.99

Note: Universal Basket Holder accepts most average sized cups, cans, bottles & mugs with a 2" to 3 1/2" diameter.



I422

CHOOSE A STAINLESS STEEL MUG OR A BASKET - THEN CHOOSE TO MOUNT TO BARS OR PERCH MOUNTS!



I463



BIKE MAPS

AUDIO

LIGHTING

ACCESSORY MOUNTS

HANDLEBAR CONTROLS

FOOT CONTROLS

CHROME

LUGGAGE

TOURING

AIR CLEANERS

EXHAUST

PERFORMANCE

MISC

INDEX

DEVICE MOUNTING SYSTEMS

TECH-CONNECT™ System

NEW



EASILY MOUNT & SECURE AN IPHONE, IPOD, SMARTPHONE, GPS OR SMALL DEVICE TO YOUR HANDLEBARS IN JUST SECONDS. AN ADJUSTABLE SWIVEL HEAD ALLOWS MOVEMENT FOR PERFECT POSITIONING & DISCONNECTS IN SECONDS! WE OFFER COMPLETE KITS; READY WITH ALL YOU NEED TO "MOUNT & GO" AS WELL AS INDIVIDUAL COMPONENTS SO YOU CAN CHOOSE THE SETUP THAT'S BEST FOR YOU. SEE BELOW FOR EASY-TO-ORDER INSTRUCTIONS.



1699



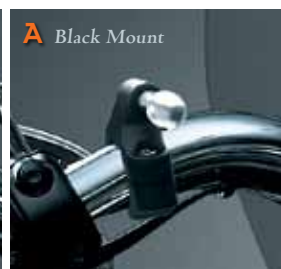
1698



1697



A & B Black Pivot Plate



A Black Mount



B & C Chrome Mount

TECH-CONNECT COMPLETE KITS

PERFECT FOR IPHONE!

Patent Pending

Includes: Standard Tech-Connect Device Holder & Standard Accessory Mount. Fits devices measuring 1-5/8" to 3-5/8" wide.

1699	Fits: 7/8", 1" & 1-1/4" Handlebars (kit)	\$49.99
1698	Fits: '82-'12 H-D Model Clutch or Brake Perch Mount (kit)	\$59.99
1697	Fits: Fairings; '96-'12 Electra Glide, Street Glide, & Trike (kit)	\$59.99

OR

ORDER COMPONENTS

1. DETERMINE MOUNTING LOCATION
2. SELECT ACCESSORY MOUNT (RIGHT)
3. SELECT DEVICE HOLDER (RIGHT & PG 66-67)

1 MOUNTING LOCATION

Choose One Location

1. FAIRING MOUNT
2. CLUTCH OR BRAKE PERCH MOUNT
3. BAR MOUNT
4. WINDSHIELD MOUNT



2 ACCESSORY MOUNT

Choose A, B, C, or D

QUICK DETACH!

ACCESSORY MOUNTS

Use these mounts as the base to hold your favorite electronic device or gadget. Designed specifically to mount the Tech-Connect, Tech-Connect Pouch, Ram Device Holder or any other device with an AMPS 4 hole mounting pattern. Quick detach as well as an adjustable swivel head for perfect positioning.

C. PREMIUM - XL CHROME
INCLUDES ALL FEATURES FROM ABOVE, PLUS AN ALL CHROME, LARGE 2-1/2" WIDE X 3-3/4" TALL METAL PIVOT PLATE THAT OFFERS ADDITIONAL SLOTS & ACCEPTS STANDARD BELT CLIPS



C 1680

A. STANDARD - Black Pivot Plate & Black Mount **NEW**

(Mounting Plate 2-3/8" x 1-7/8")

1671	Handlebar Mount - Fits: 7/8", 1" & 1-1/4" bars (ea)	\$29.99
1672	Clutch or Brake Perch Mount - Fits: '82-'12 H-D Models (ea)	\$39.99
1673	Fairing Mount - Fits: '96-'12 Electra Glide, Street Glide, & Trikes	\$39.99
1674	Windshield Mount - Fits: 88-'12 Heritage Softail Classic, '94-'12 Road King; Universal for most H-D & aftermarket fairings using a 1/4" or smaller fastener for windshield straps	\$39.99

B. PREMIUM CHROME - Black Pivot Plate & Chrome Mount **NEW**

(Mounting Plate 2-3/8" x 1-7/8")

1677	Handlebar Mount - Fits: 1" bars (ea)	\$39.99
1678	Handlebar Mount - Fits: 1-1/4" bars (ea)	\$39.99
1679	Clutch or Brake Perch Mount - Fits: '82-'12 H-D Models (ea)	\$49.99

C. PREMIUM - XL CHROME - Large Chrome Pivot Plate & Chrome Mount. Hook & Loop Straps Included. Accepts Most Belt Clips. **NEW**

1680	Handlebar Mount - Fits: 1" bars (ea)	\$59.99
1681	Handlebar Mount - Fits: 1-1/4" bars (ea)	\$59.99
1682	Clutch or Brake Perch Mount - Fits: '82-'12 H-D Models (ea)	\$69.99
1683	Mounting Plate Update - Fits: Existing Universal Accessory Mounts - 1415, 1420-21, 1472-74, & 1468 (ea)	\$49.99

D. ECONOMICAL **NEW**

Fits: Cut to fit tubing, square rails & irregular shapes from .5"-2.5" in diameter

4109	RAM EZ-Strap™ Mount (ea)	\$15.99
------	--------------------------	---------

Note: Not for mounting Accessory Pouches & not Quick Detach.



D 4109

3 DEVICE HOLDER

Choose E or F

E. TECH-CONNECT **NEW** Patent Pending

Requires Accessory Mount for installation. Sold separately - Above

1693	Standard Device Holder (ea) Fits devices measuring 1-5/8" to 3-5/8" wide (Perfect for iPhone)	\$29.99
1694	Large Device Holder (ea) Fits devices measuring 3-5/8" to 6" wide	\$29.99



THE MOST SECURE UNIVERSAL HOLDER ON THE MARKET

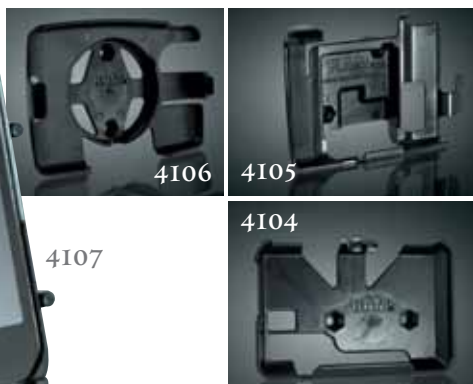
- Dual Screw Clamping to Quickly & Securely Hold Device
- Integrated Rubber Pads for No Slip

PERFECT FOR IPHONE!

F. RAM®

Hold your GPS or devices with Ram's model specific cradles or universal holders. Requires Accessory Mount for installation. (Sold separately-Above)

4104	Fits: Garmin Nuvi 200 Models (ea)	\$12.99
4105	Fits: Garmin Nuvi 300 Models (ea)	\$12.99
4106	Fits: TomTom XL 300 Models (ea)	\$12.99
4107	Universal Spring Loaded Device Holder Fits devices 2-3/8" to 3-3/8" wide by 4-3/4" to 6-1/4"	\$19.99 NEW
4098	Fits: Garmin Nuvi 1300 Models (ea)	\$12.99 NEW
4099	Fits: Garmin Nuvi 1400 Models (ea)	\$13.99 NEW



ACCESSORY POUCHES ALSO COMPATIBLE - PG 66 - 67

BIKE MAPS

AUDIO

LIGHTING

ACCESSORY MOUNTS

HANDLEBAR CONTROLS

FOOT CONTROLS

CHROME

LUGGAGE

TOURING

AIR CLEANERS

EXHAUST

PERFORMANCE

MISC

INDEX



ACCESSORY POUCHES



Take your pick; we have the perfect size holder for just about any type of handheld gadget. Their large, clear viewing window makes for easy reading of LCD screens on the fly & allows for full use of touch screen devices. Whether it be a cell phone, MP3 player, or portable GPS, rest assure that your device will be secure & easily accessible. Quick Detach mounting.

Fits: Universal for 3/4" to 1-3/4" Bars (Also mounts to Universal Accessory Mounts; Step #2 - pg 65)

1478	Small (ea) (3-1/2" Tall, 2-1/4" Wide, 3/4" Deep)	\$32.99
1479	Large (ea) (4-1/2" Tall, 3-1/4" Wide, 3/4" Deep) Note: Holds standard 3-1/2" x 3" E-Z pass.	\$32.99
4195	Xtra Large (ea) (4-1/4" Tall, 6-1/4" Wide, 3/4" Deep)	\$32.99

XTRA LARGE VERSION INCLUDES FOAM PAD TO SECURELY FIT EVEN SMALL DEVICES



QUICK DETACH STRAP

HOLDS STANDARD E-Z PASS!



USB POWER SOURCE **NEW**

Charging your device just got even easier. Featuring two USB ports & 2.1a output to provide enough output for charging any modern device including iPads. Mount anywhere you choose including inside your tour pack, on the dash, or on your handlebars.

Fits: Universal - Requires 1" x 1" flat surface or 1" of straight 1" bar for mounting (Connects directly to battery with in line fuse)

WORKS GREAT WITH FAT CAT ACCESSORY CHARGER

1688	USB Power Source (ea)	\$45.99
------	-----------------------	---------

Rendering Shown



INCLUDES MOUNT FOR 1" HANDLEBARS

GREAT FOR CHARGING IPHONES, IPODS, CELL PHONES, GPS', OR ANY DEVICE WITH STANDARD USB CONNECTION

ACCESSORY MOUNT KITS

Just need the mounting hardware for your accessory or drink holders? Clutch or Brake Perch Mounting or bar mounting

1472	Clutch or Brake Perch Mount Kit (ea) Fits: '82-'12 H-D Model Clutch or Brake Perch Mounts	\$26.99
1420	Fits: 1" Bars (ea)	\$12.99
1468	Fits: 1-1/4" Bars (ea)	\$19.99
1415	Fits: 3/4", 5/8", & 1/2" Bars (ea)	\$18.99



FAT CAT ACCESSORY CHARGER **NEW**

Now you can charge just about any electronic device from your electrical power point. Featuring two USB ports, one with 1A & one 2.1A of output, to charge multiple devices such as an iPhone, iPod, GPS, Droid, & even an iPad!

Fits: Universal - Plugs into cigarette lighter
Will charge iPhones & most current cellphones & devices

891	Fat Cat Accessory Charger	\$29.99
-----	---------------------------	---------

EZ PASS HOLDER

NEW

An easy-to-attach device that will securely hold an I-Pass™, E-Z Pass™ or other tollway transponders to a motorcycle without obstructing the rider's view or grip. Can be mounted to handlebars, perches, engine guards or windshields using additional hardware & clamps (sold separately).

Fits: Universal for mounting to top clutch or brake perch bolt, windshield strap mounting bolt - Mounts with P-Clamp (pg 45) (Requires additional 1/4-20 bolt for mounting w/P-Clamp)

Note: Not suggested for mounting on clutch or brake perch with other accessories mounted in same location.

1684 Chrome (ea) \$44.99

1685 Black (ea) \$34.99



1685

ALSO FITS
TRIKES

1684

TECH-CONNECT Pouch

NEW

Mount your iPhone or small touch screen device to your bike's handlebars in just seconds! This pouch conforms to your device for a snug fit & features both audio & charging ports at the top & bottom. Choose P/N 4127 with a quick on & off rubber strap to fit most handlebars, or for a more precise placement choose P/N 4128 equipped with an Accessory Mount with Quick Disconnect capabilities & Pivot adjustment.



Prototype Shown

4127 Tech-Connect Pouch - Mount with Rubber Strap \$35.99

Fits: Universal 3/4" to 1-3/4" Bars (Also mounts to Universal Accessory Mounts; Step #2 - pg 65)

4128 Tech-Connect Pouch - Mount with Accessory Mount \$48.99

Fits: 7/8", 1", & 1-1/4" Bars

Note: Includes Standard Accessory Mount (P/N 1671 - pg 65).

ALSO FITS
TRIKES

INCLUDES FOAM PAD FOR SECURE FIT FOR EVEN THE SMALLEST DEVICES

ALSO AVAILABLE... SINGLE POCKET WINDSHIELD BAG

Larger bag to hold your devices - & ADD MORE!

SEE PG 179



FUEL DOOR GPS/ ACCESSORY MOUNT

UPDATED PLATE ACCEPTS MORE DEVICES!

FOR TOURING MODELS

This cleverly designed mount replaces the stock hinged fuel door to provide a stable & easily accessible place to mount a GPS, satellite radio or other electronic device. The swap only takes a few minutes. Adjustable bracket accepts almost any device that utilizes a cradle with the industry standard 4-hole AMPS pattern, RAM cradles & Kuryakyn Accessory Pouches. Also accepts items like MP3 players, cell phones, or just about anything with a belt clip.

1690 Fits: '92-'07 Electra Glides, Road Glides, Street Glides & Tour Glides (ea) \$109.99

1691 Fits: '08-'12 Electra Glides, Road Glides, Street Glides, & Trikes (ea) \$109.99

ALSO FITS
TRIKES



WORKS WELL WITH
OUR POUCHES
(ABOVE) OR DEVICE
HOLDERS (PG 65)

ELECTRICAL POWER POINT

Perfect for plugging in your cell phone, iPod, GPS, air pump, or any other electrical device taken on the road. This power point/cigarette lighter will keep them charged. Built into our Silver Bullet light housing & comes with everything you need to connect directly to your battery with a quick disconnect. Mount it above your handlebars or check for tank clearance & mount it below (shown in image right).

ALSO FITS
TRIKES



1423

1483

1423 Fits: 1" Handlebars (ea) \$69.99

1476 Fits: 1-1/4" Handlebars (ea) \$69.99

1483 Fits: All '82-'12 H-D Model Clutch or Brake Perch Mounts (ea) \$79.99

POWER AT YOUR FINGERTIPS!

BIKE MAPS

AUDIO

LIGHTING

ACCESSORY MOUNTS

HANDLEBAR CONTROLS

FOOT CONTROLS

CHROME

LUGGAGE

TOURING

AIR CLEANERS

EXHAUST

PERFORMANCE

MISC

INDEX

ACCESSORY CLOCKS & GAUGES



WHITE ELECTROLUMINESCENT FACE OFFERED ON SELECT STYLES!



A. RITCHIESPORT® COMPASS WITH MARLIN'S MOUNT **NEW**

- Marlin's Brake/Clutch or Handlebar Mount Kitted with a RitchieSport® Compass
- Compass Molded in High Impact/High Temp Black Composite
- 2" Direct-Reading, High Visibility Dial
- Removable Internal Green Night Lighting
- Hardened Steel Pivot & Sapphire Jewel Movement
- Built-In Compensators

6043	For 7/8" or 1" Bars (ea)	\$94.99
6045	For 1-1/4" Bars (ea)	\$104.99
6047	For Brake/Clutch Mount (ea)	\$74.99

IMPORTANT: NOT FOR USE ON MOTORCYCLES WITH RADIOS, SPEAKERS, OR STRONG MAGNETIC FIELDS.

B. MARLIN'S TALON MOUNT

- Mounts to 1" or 7/8" bars
- Non-marking, soft tipped hidden set screw

6052	Clock, Black (ea)	\$53.99
6053	Clock, Electroluminescent (ea)	\$68.99
6054	Thermometer, Black (ea)	\$53.99
6055	Thermometer, White (ea)	\$53.99

C. MARLIN'S BRAKE/CLUTCH MOUNT

- Fits H-D & most Metric bikes (may require a spacer)
- Great for windshields or any location with 1/4" (or 6mm) screw
- Head swivels for fine tuning position & locks when tightened (clock/thermometer face can be rotated in the housing)

6032	Clock, Black (ea)	\$48.99
6033	Clock, Electroluminescent (ea)	\$63.99
6034	Thermometer, Black (ea)	\$48.99
6035	Thermometer, White (ea)	\$48.99

D. MARLIN'S TOCS

- Infinite places to mount – use included double sided tape or use the mounting hole to screw in place
- Includes 1/4"-20 screw for Road King tank panel
- Great for windshield & handlebar bag installation

6044	Clock, Black (ea)	\$42.99
6046	Thermometer, Black (ea)	\$42.99

E. MARLIN'S FORK STEM COVER CLOCK

- Takes the place of the factory fork stem bolt cap
- Fits: '91-'12 Softails (except Springer Models), '93-'05 Dyna Wide Glide, & all '06-'12 Dyna Models

6048	Clock, Black (ea)	\$74.99
------	-------------------	---------

F. MARLIN'S BULLET BILLET

- Split mount for easy installation
- Requires 2" of straight handlebar for installation (Recommended 3" from bends)

6036	Clock for 1" or 7/8" Bars, Black (ea)	\$74.99
6037	Clock for 1" or 7/8" Bars, Electroluminescent (ea)	\$89.99
6038	Thermometer for 1" or 7/8" Bars, Black (ea)	\$74.99

G. MARLIN'S HANDLEBAR MOUNT

- Mounts to 1" or 7/8" bars (clear plastic isolator included for 7/8" applications)
- Split ring mount for easy installation
- Clock head rotates & swivels to adjust to any position

6028	Clock, Black (ea)	\$74.99
6029	Clock, Electroluminescent (ea)	\$89.99
6030	Thermometer, Black (ea)	\$74.99
6031	Thermometer, White (ea)	\$74.99

H. MARLIN'S FORK LOCK FLIP FOR ROAD KING

- Flip-top head opens for access to fork lock mechanism
- No key modification required - Easy installation
- Keeps "lock/unlock" wording under the unit
- Fits all '94-'12 Road King Models

6040	Clock, Black (ea)	\$99.99
------	-------------------	---------