

# AIR CLEANERS



# AIR CLEANERS



CHROME MACH 2™  
PG 223

TWIN  
VELOCITY™ PLUS  
PG 226



VELOCIRAPTOR®  
PG 225



PRO-R  
HYPERCHARGER™  
PG 224

HYPERCHARGER™  
PG 227

Shown with  
Blood Groove Trap Doors



SKULL  
PG 224



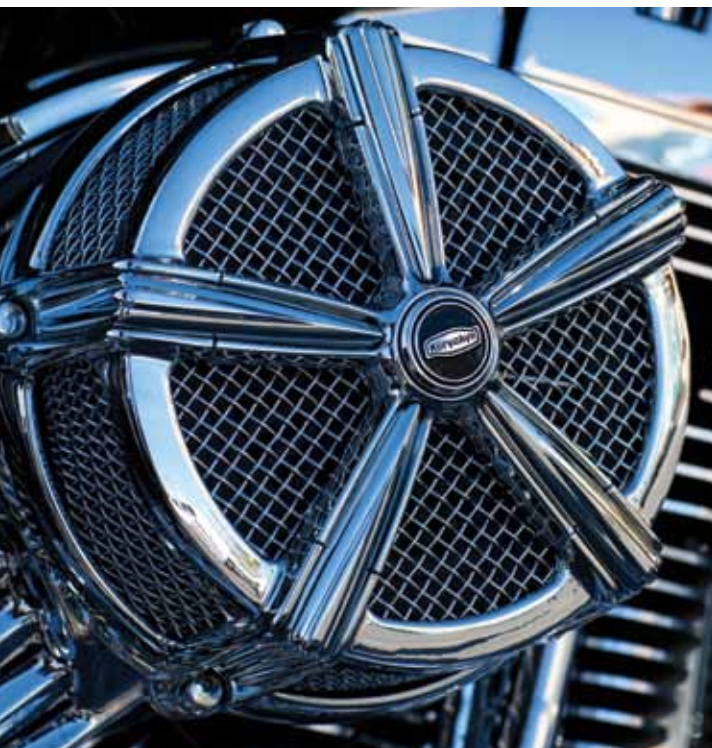
PRO-SERIES  
HYPERCHARGER™  
PG 226

Note: Some of our high performance  
air cleaners protrude out further than  
the standard unit to achieve smoother  
flow & better performance



CORSAIR™  
PG 225





## MACH 2™

The best performing, best looking, & best fitting air cleaner on the market today! Not only can the Mach 2 support well over 150hp, it's look can be customized & individualized to meet the needs of the most demanding riders with everything from themed medallions to black spikes. Lead the pack & look good doing it!

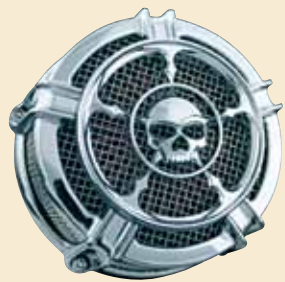


Note: Includes both Kuryakyn & Zombie 1" Center Emblem.

### CHROME

9478	'03-'09 VTX1300	\$309.99
9479	'02-'08 VTX1800	\$309.99
9506	'09-'12 Fury & VT1300 Custom Line (Saber, Stateline, & Interstate)	\$289.99
9469	Replacement Filter for Skull, Hi-Five & Mach 2	\$72.99

Note: These kits contain an all-chrome Mach 2, mounting kit, & jetting necessary for carburetor models for a complete, sanitary installation. For optimum performance & driveability on fuel injected motorcycles, we strongly recommend use of the Wild Things Fuel Injection Controller (P/N 9218 - pg 230).



# MAKE YOUR MACH 2™ YOUR OWN!

CUSTOMIZE THE MACH 2 TO SUIT YOUR PERSONAL STYLE BY UPGRADING TO ANY THEMED MEDALLION, BLACK SPIKES, OR BLACK MESH BASKET. EACH MACH 2 AIR CLEANER INCLUDES NECESSARY HARDWARE TO MAKE THE CONVERSION - SIMPLY PICK YOUR FAVORITE DESIGN TO BUILD A UNIQUE ONE-OF-A-KIND CUSTOM.

### SPIKES

9556	Black (5 pcs)	\$39.99
9557	Chrome (5 pcs)	\$39.99

### BLACK MESH

9558	Black Mesh Basket (ea)	\$39.99
------	------------------------	---------



Black Spikes on Chrome Mach 2



### MEDALLIONS

3752	Helicopter Gunship (ea)	\$19.99	3798	Chauvinist (ea)	\$19.99
3754	Firefighter (ea)	\$19.99	3799	Patriot (ea)	\$19.99
3764	Deco (ea)	\$19.99	<b>BLACK MEDALLIONS</b>		
3795	Flame (ea)	\$19.99	3713	Widow - Black (ea)	\$18.99
3796	Widow (ea)	\$19.99	3714	Zombie - Black (ea)	\$18.99
3797	Zombie (ea)	\$19.99			



- BIKE MAPS
- GOLDWING
- CAN-AM
- SPORT BIKE
- LIGHTING
- ACCESSORY MOUNTS
- HANDLEBAR CONTROLS
- FOOT CONTROLS
- CHROME
- LUGGAGE
- TOURING
- AIR CLEANERS**
- MISC
- INDEX

# PRO-R HYPERCHARGER™ U.S. Patent 5,307,771

Since its inception the Hypercharger has continued to evolve to meet the needs of the performance minded rider. What you see here is without a doubt the best flowing Hypercharger we've ever produced. The interior shapes, especially the critical radius leading into the carb or throttle body, have been carefully designed. The outer cover incorporates an additional scoop to direct air into a high-flow, washable foam filter element that seats snugly in the end of round K&N filter elements. This filter assembly is one of the best flowing on the market & is capable of supplying enough air to even the highest output street motors. The frontal opening is huge & as with all Hyperchargers, the vacuum operated butterflies allow almost unrestricted airflow to the filter under high-load riding situations.

*Note: These kits contain an all-chrome Pro-R Hypercharger, mounting kit, & jetting necessary for carburetor models for a complete, sanitary installation. For optimum performance & driveability on fuel injected motorcycles, we strongly recommend use of the Wild Things Fuel Injection Controller (P/N 9218 - pg 230).*

CAPABLE OF SUPPORTING ENGINE BUILDS  
THAT PRODUCE UP TO 140+ H.P.



## HONDA

9460	'03-'09 VTX1300	\$299.99
9461	'02-'08 VTX1800	\$299.99

## KAWASAKI

9465	'04-'10 Vulcan 2000	\$319.99
------	---------------------	----------

## YAMAHA

9463	'99-'09 V Star 1100*	\$299.99
9464	'99-'12 Road Star 1600/1700 (except Warrior)	\$349.99
9466	'08-'12 Fuel Injected Road Star 1700 Models (except Warrior) <i>Note: Will fit '99-'07 carbureted Road Stars but does not include necessary jetting.</i>	\$319.99

*\*We recommend that air cleaner installation & jetting on the V Star be performed by a Yamaha Dealer or other qualified technician.*

## COMPONENTS

9493	Replacement K&N Filter for Pro-Series & Pro-R (ea)	\$59.99
9319	Replacement Foam Filter Element for Pro-R Hypercharger (ea)	\$16.99
8554	Vacuum Pod Rebuild Kit for Pro-Series or Pro-R Hypercharger (ea)	\$13.99
9330	Chrome Butterflies for Pro-R/Pro-Series Hyperchargers (pr)	\$14.99
9331	Black Butterflies for Pro-R/Pro-Series Hyperchargers (pr)	\$14.99
9333	Pro-R Butterfly Shaft Caps with Screws, Washers, Bearings, & Spring (set)	\$16.99
9334	Case Screws for Pro-Series & Pro-R (set/3)	\$6.99

## PSEUDO PRO-R HYPERCHARGER

FOR YAMAHA

Amaze everyone with the extreme performance look of this pseudo Pro-R. Doubling as an electrical housing, the added visual horsepower is insane.

Fits: All '06-'12 Roadliner, Stratoliner & Deluxe Models & '08-'12 Raider Models

9468	Pseudo Pro-R (ea)	\$179.99
------	-------------------	----------



## REPLACEMENT SKULL AIR CLEANER COVER

Only a replacement for your Kuryakyn Skull Air Cleaner Kit or S&S air cleaner cover.

9940	Chrome Skull Air Cleaner Cover (ea)	\$99.99
9939	Satin Black Skull Air Cleaner Cover (ea)	\$99.99
9938	Gloss Black Chrome Skull Air Cleaner Cover (ea)	\$99.99



## VELOCIRAPTOR® AIR CLEANER

With a race inspired design & show bike styling this air cleaner will give your bike a look like no other can! Unlike most velocity stacks on the market the Velociraptor breaths well & filters the air with its K&N washable element. The Super Ring insert covers up the mounting bolts delivering smooth airflow into your motor.

9442	'03-'09 VTX1300	\$179.99
9443	'02-'08 VTX1800	\$169.99
9444	'09-'12 Fury & VT1300 Custom Line (Sabre, Stateline & Interstate)	\$179.99
9446	'10-'12 Shadow 750 Aero, Phantom & '12 Shadow 750 Spirit with Fuel Injection <i>Note: For fuel injected models only</i>	\$179.99

*Note: These kits contain an all-chrome Velociraptor, mounting kit, & jetting necessary for carburetor models for a complete, sanitary installation. For optimum performance & driveability on fuel injected motorcycles, we strongly recommend use of the Wild Things Fuel Injection Controller (P/N 9218 - pg 230).*

A LOOK LIKE NO OTHER!



## CORSAIR™ AIR CLEANER

We tested many of our competitor's forward facing air cleaners & found them to be very restrictive. We designed many prototypes until we settled on this very aggressive, free flowing, truly high-performance unit. The chrome-plated, die-cast housing with high-flow element, supplied by Advanced Flow Engineering (aFe), is easy to install & air-flow will support performance engines in excess of 100 H.P.

*Note: These kits contain an all-chrome Corsair Air Cleaner, mounting kit, & jetting necessary for carburetor models for a complete, sanitary installation. For optimum performance & driveability on fuel injected motorcycles, we strongly recommend use of the Wild Things Fuel Injection Controller (P/N 9218 - pg 230).*

### HONDA

9863	'02-'08 VTX1800	\$329.99
9866	'03-'09 VTX1300	\$339.99

### KAWASAKI

9867	'04-'10 Vulcan 2000	\$349.99
------	---------------------	----------

### CORSAIR COMPONENTS

9857	Rplcmnt End Cap Kit (kit)	\$29.99	9859	Pre-Filter for Corsair (ea)	\$31.99
9858	Rplcmnt Filter Element (ea)	\$69.99	88	Filter Oil & Cleaning Kit	\$16.99

## SKULL AIR CLEANER

Not for the faint of heart! A vile & sinister addition to any ride, this outer cover is a high-strength, extremely rigid composite material, chrome-plated for killer good looks. Complete kit with a K&N high-flow filter element & any necessary brackets & hardware required for installation. Carburetor re-jetting is required (necessary jets included).

*Note: These kits contain an all-chrome Skull Air Cleaner, mounting kit, & jetting necessary for carburetor models for a complete, sanitary installation. For optimum performance & driveability on fuel injected motorcycles, we strongly recommend use of the Wild Things Fuel Injection Controller (P/N 9218 - pg 230).*

### HONDA

9952	'03-'09 VTX1300	\$299.99
9954	'04-'09 Aero 750 (Carbureted only), '07-'09 Spirit 750 C2 with Shaft Drive	\$309.99

### YAMAHA

9956	'99-'09 V Star 1100*	\$299.99
9469	Replacement Filter for Skull, Hi-Five, & Mach 2	\$72.99

\*We recommend that air cleaner installation & jetting on the V Star be performed by a Yamaha Dealer or other qualified technician.



BIKE MAPS

GOLDWING

CAN-AM

SPORT BIKE

LIGHTING

ACCESSORY MOUNTS

HANDLEBAR CONTROLS

FOOT CONTROLS

CHROME

LUGGAGE

TOURING

AIR CLEANERS

MISC

INDEX



**YOU CAN'T BUY A BETTER,  
HIGH-PERFORMANCE AIR  
CLEANER ANYWHERE!**

## PRO-SERIES HYPERCHARGER™

U.S. Patent 5,307,771

The Pro Series Hypercharger was designed for massive air-hungry V-Twin mills that like lots of RPMs. If your motor needs air, here's the place to start. The inlet is cavernous. The filter area has been increased by a full 50%. Internal shapes have been tweaked to allow increased flow & velocity. The Pro has a look all its own. All edges are radiused for a more streamlined appearance & the artfully incorporated speed lines completes the picture of performance.

*Note: These kits contain an all-chrome Pro-Series Hypercharger, mounting kit, & jetting necessary for carburetor models for a complete, sanitary installation. For optimum performance & driveability on fuel injected motorcycles, we strongly recommend use of the Wild Things Fuel Injection Controller (P/N 9218 - pg 230).*

### HONDA

9407	'03-'09 VTX1300	\$299.99
9411	'02-'08 VTX1800	\$299.99

### KAWASAKI

9404	'95-'04 Vulcan 1500 (Single Carb Model)	\$299.99
9408	All Fuel Injected Vulcan 1500/1600 Including Mean Streak	\$299.99

### SUZUKI

9408	'04-'06 Marauder 1600/Boulevard M95	\$299.99
------	-------------------------------------	----------

### YAMAHA

9409	'99-'09 V Star 1100*	\$299.99
9421	'99-'12 Road Star 1600/1700 (except Warrior)	\$359.99
9424	'08-'12 Fuel Injected Road Star 1700 Models (except Warriors) <i>Note: Will fit '99-'07 Carbureted Road Stars but does not include necessary jetting.</i>	\$319.99

*\* We recommend that air cleaner installation & jetting on the V Star be performed by a Yamaha Dealer or other qualified technician.*

### PRO-SERIES COMPONENTS

9493	Replacement K&N Filter for Pro-Series & Pro-R (ea)	\$59.99
8554	Vacuum Pod Rebuild Kit for Pro-Series or Pro-R Hypercharger (ea)	\$13.99
9330	Chrome Butterflies for Pro-R/Pro-Series Hyperchargers (pr)	\$14.99
9331	Black Butterflies for Pro-R/Pro-Series Hyperchargers (pr)	\$14.99
9332	Pro-Series Butterfly Shaft Caps with Screws, Washers, Bearings, & Spring (set)	\$16.99
9334	Case Screws for Pro-Series & Pro-R (set/3)	\$6.99

## TWIN VELOCITY™ PLUS FOR ROAD STAR & V STAR 650

The Twin Velocity Plus Air Cleaner has achieved a massive increase in airflow over competing designs (about the same as the Pro-Series Hypercharger) while not intruding into the driver's leg room.

### FEATURES:

- Slots on both sides of body with enlarged openings at the bottom allows more air to enter the sides of the K&N filter
- End Breather Technology - we added a large, round foam filter element beneath the teardrop center cover to allow filtered air to enter the end of the filter
- Internal crankcase vent system has been designed to direct gasses & oil droplets into the carburetor or induction module
- Improved air flow & greatly improved power potential

*Note: These kits contain an all-chrome Twin Velocity Plus, mounting kit, & jetting necessary for carburetor models for a complete, sanitary installation. For optimum performance & driveability on fuel injected motorcycles, we strongly recommend use of the Wild Things Fuel Injection Controller (P/N 9218 - pg 230).*

9852	'99-'12 Road Star 1600/1700 (except Warrior)	\$319.99
9853	'98-'11 V Star 650 <i>Note: We recommend installation &amp; jetting be performed by a Yamaha Dealer or other qualified technician.</i>	\$289.99

Shown with Black  
Inner Plates



# STANDARD HYPERCHARGER™ U.S. Patent 5,307,771

Since its introduction in 1992, The Hypercharger has been widely recognized as one of the most cost effective performance modifications available. When the demand arose for adaptation to the Metric Cruisers we expected similar performance increases, but never expected to see the gain common on these engines. Results were obtained from stock bikes with only accessory pipes, a Hypercharger, & simple carb re-jetting. The performance increase comes from simply letting the engine breathe. No decrease in longevity or drivability should be expected after normal, careful installation & proper jetting. Aside from the desirable gains in performance, the Hypercharger is one of the most striking enhancements you can make to your bike. The cases are beautifully chromed with trap doors & butterflies available separately (pg 229) in a wide array of colors.

*Note: These kits contain an all-chrome Hypercharger, mounting kit, & carburetor jetting necessary for a complete, sanitary installation. For optimum performance & driveability on fuel injected motorcycles, we strongly recommend use of the Wild Things Fuel Injection Controller (P/N 9218 - pg 230).\**

## ADDITIONAL ACCESSORIES - PGS 227-230



### HONDA

9430	'95-'07 1100 Shadow (Cosmetic Upgrade Only)	\$199.99
9431	'03-'09 VTX1300	\$289.99
9432	'04-'09 Aero 750 (Carbureted only), '07-'09 Spirit 750 C2 with Shaft Drive	\$299.99

### KAWASAKI

9410	'95-'06 VN800	\$299.99
9400	'95-'04 VN1500 (Single Carb Model)	\$289.99
9405	Fuel Injected VN1500/1600 Including Mean Streak	\$299.99

### SUZUKI

9405	'04-'06 Marauder 1600/Boulevard M95	\$299.99
------	-------------------------------------	----------

### YAMAHA

9422	'98-'11 V Star 650*	\$299.99
9423	'99-'09 V Star 1100*	\$289.99
9420	'99-'12 Road Star 1600/1700 (except Warrior)	\$349.99
9425	'08-'12 Fuel Injected Road Star 1700 Models (except Warrior) <small>Note: Will fit '99-'07 Carbureted Road Stars but does not include necessary jetting.</small>	\$309.99

*Note: We recommend that air cleaner installation & jetting on the V Star be performed by a Yamaha Dealer or other qualified technician.*



## TWIN VELOCITY™ PLUS COMPONENTS

8492	Replacement Cage/Foam Filter Assembly (ea)	\$16.99
9790	Replacement K&N Filter Element (ea)	\$59.99
9791	Small Filter Element for Original Twin Velocity (ea)	\$10.99



## PRO-SERIES UPGRADE KIT

This upgrade is available for anyone currently using a new style (replaceable bearing cup style) Hypercharger. The kit consists of the "Pro" large volume outer case half with bearing cups, butterflies, larger K&N air filter element, & necessary hardware. Available in chrome only.

9310	Pro-Series Hypercharger Upgrade	\$139.99
------	---------------------------------	----------

BIKE MAPS

GOLDWING

CAN-AM

SPORT BIKE

LIGHTING

ACCESSORY MOUNTS

HANDLEBAR CONTROLS

FOOT CONTROLS

CHROME

LUGGAGE

TOURING

AIR CLEANERS

MISC

INDEX

# ACCESSORIES FOR AIR CLEANERS



## INFINITY™ STREAMLINER

FOR STANDARD HYPERCHARGER

U.S. Patent 7,029,152

Take advantage of these spectacular illusions - It's definitely the first of their kind! Throw the switch & these covers are instantly transformed. The smooth, mirror finished outer panels become a vortex of lights. Installs quickly & easily - in under an hour! With the L.E.D. technology, there is no need to worry about draining your bike's battery (provided the battery is in good condition & the lights are not left on for more than a couple hours). Get out there, the crowds are waiting!

*Seven Color L.E.D. Technology Operates in Three Stunning Modes:*

- Single color steady illumination
- Single color flashing illumination with rheostat adjusted variable rate
- Paint Mode: All lights in unison continuously cycle through all seven colors (red, lime, ice blue, sky blue, dark blue, purple, green) with an adjustable variable rate

Fits: Standard Hypercharger only—Includes switch & all wiring

8415	Infinity Streamliner (ea)	\$199.99
4715	Replacement Switch/Controller (ea)	\$31.99
4768	250 V, 3 Amp Fuse (pr)	\$3.99

7-COLORS  
IN ONE!



CHANGE THE LOOK OF  
YOUR HYPERCHARGER!



NEED FOR SPEED?

## STINGER TRAP DOOR

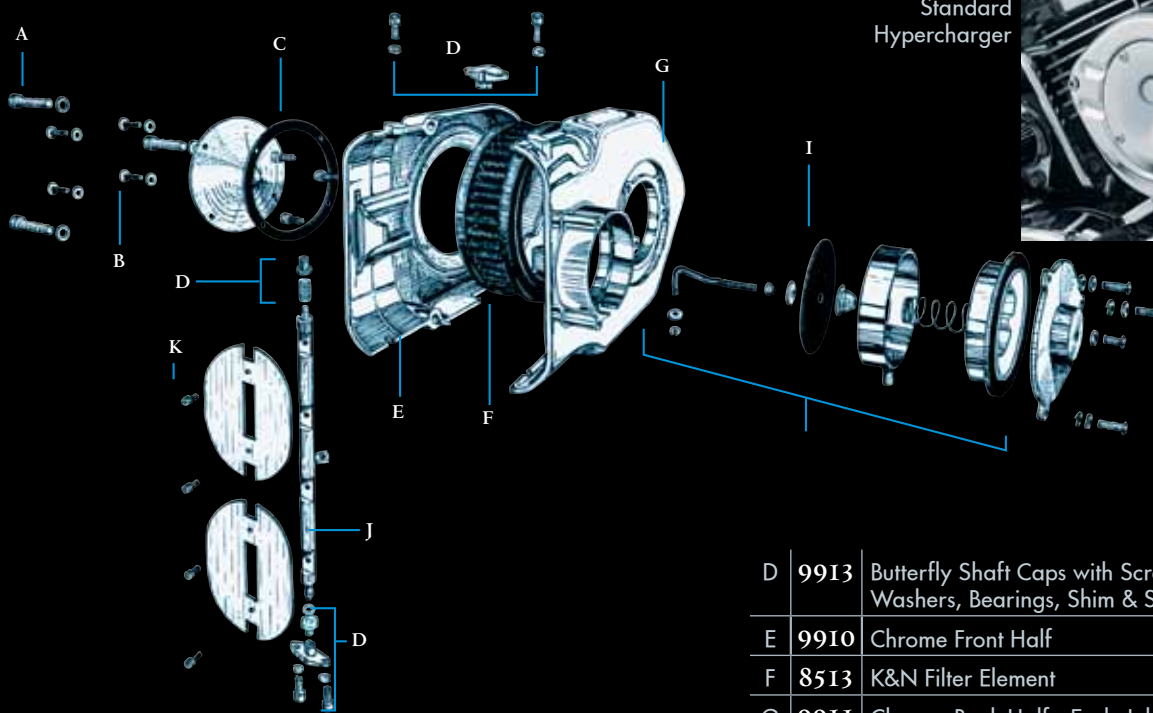
FOR STANDARD HYPERCHARGER

If you have a need for more speed & want top performance from your bike; then this is for you. Designed specifically to maximize airflow into the carburetor or throttle body, the Stinger's two large raised scoops channel air through a high-flow foam filter element. This is an incredibly cost effective way to increase air flow in any Standard Hypercharger. Easy four bolt replacement of any standard trap door. Sit down, shut-up, & hang on!

Fits: Standard Hypercharger only

8498	Stinger Trap Door with Filter (ea)	\$59.99
8492	Replacement Filter Element (ea)	\$16.99





Standard Hypercharger

### STANDARD HYPERCHARGER™ REPLACEMENT COMPONENTS

A	9906	Case Bolts & Washer Set (6 pcs)	\$7.99
B	9904	Trap Door Screw/Washer Set (8 pcs)	\$5.99
C	9903	Trap Door Gasket	\$2.99

D	9913	Butterfly Shaft Caps with Screws, Washers, Bearings, Shim & Spring	\$16.99
E	9910	Chrome Front Half	\$41.99
F	8513	K&N Filter Element	\$44.99
G	9911	Chrome Back Half - Early Inlet	\$41.99
G	9912	Chrome Back Half -Late Inlet	\$41.99
H	8580	Vacuum Pod Rebuild Kit	\$13.99
I	8581	Diaphragm Only	\$4.99
J	8599	Butterfly Shaft	\$9.99
K	9905	Butterfly Screw Set (4 pcs)	\$4.99

BIKE MAPS  
GOLDWING  
CAN-AM  
SPORT BIKE  
LIGHTING  
ACCESSORY MOUNTS  
HANDLEBAR CONTROLS



### BLOOD GROOVE TRAP DOORS

FOR STANDARD HYPERCHARGER

Continue the blood groove look on your Standard Hypercharger with these trap doors.

Fits: Standard Hypercharger only

8475	Black (ea)	\$24.99
8476	Chrome (ea)	\$24.99

FOOT CONTROLS  
CHROME

### STANDARD TRAP DOORS & BUTTERFLIES

Choose from our wide variety of plated or powder-coated colors to give your Hypercharger the exact look you've been searching for. You can select the letterhead version at no extra charge. We supply the trap doors unlettered, unless you specify letter head version.

Fits: Standard Hypercharger only

All Colored Trap Doors \$18.99

All Colored Butterflies (pr) \$14.99

Special pricing for special finishes shown Below.



COLOR	TRAP DOORS	BUTTERFLIES	COLOR	TRAP DOORS	BUTTERFLIES
Black	8478	8484	Metallic Gray	8426	8427
Candy Red	8479	8485	Violet Pearl	8428	N/A
Candy Blue	8480	8486	Victory Red	8430	N/A
Nugget Yellow	8420	N/A	Lazer Red	8432	N/A
Wineberry	8422	N/A	Sinister Blue	8434	N/A
Mystique Green	8424	N/A			

P/N	SPECIALTY FINISH	PRICE
8482	Chrome Trap Door	\$20.99
8477	Raw Trap Door	\$16.99
8488	Chrome Butterflies (pr)	\$14.99
8489	Gold Butterflies (pr)	\$19.99
8490	Raw Butterflies (pr)	\$12.99

LUGGAGE  
TOURING  
AIR CLEANERS

MISC  
INDEX



## THE SCOOP AIR BOX COVER

FOR VULCAN 900

Gain extreme visual speed & horsepower with this direct replacement cover! The long speed lines combined with the illusion of a ram air scoop will certainly intensify any ride. Installation is a snap.

Fits: All '06-'12 Vulcan 900 Models

9961 | The Scoop Air Box Cover (ea) | \$69.99

## WILD THINGS® FUEL INJECTION CONTROLLER

By Dobeck Performance

Wild Things has teamed with Dobeck Performance to bring you an easy & affordable way to adjust your fuel injection system to accommodate modifications to your motorcycle's exhaust system, air cleaner, or engine components.

The Wild Things Fuel Injection Controller is load based. Aside from reading throttle position & R.P.M., it also takes into account the load the engine is under. Even though you may encounter the same throttle positions at the same R.P.M.s in different riding situations, the engine's fuel requirement may not be the same because the engine may not be under the same load.

The Wild Things Fuel Injection Controller allows you to tune the fuel injection much the same way you jet a carburetor.

- The green "pot" functions like the fuel mixture screw & pilot jet on a carburetor to adjust light throttle operation through highway cruising & steady throttle.
- The yellow "pot" functions like an accelerator pump on a carburetor. It adds fuel as the throttle is opened.
- The red "pot" functions like a main jet on a carburetor to add fuel on top end.
- The RPM "pot" adjusts at what R.P.M. the green & yellow fuel addition stops & the red fuel setting takes over.

Includes Scotchlock connectors allowing you to quickly & easily splice into your stock wiring harness.

9218 | Wild Things Fuel Injection Controller | \$199.99



Fits: Universal - Any V-Twin metric cruiser with fuel injection - Typical Applications below:

**Honda:** '02-'08 VTX1800 (All Models)

**Kawasaki:** '99-'10 Vulcan 1500/1600/2000

**Suzuki:** '04-'12 1600 Marauder/Boulevard M95, Boulevard C50/M50/C90, M90, M109R

**Victory:** '98-'12 Victory (All Models)

**Yamaha:** '02-'09 Road Star Warrior, '08-'12 Road Star, '07-'12 V Star 1300, '09-'12 V Star 950 & '06-'12 Roadliner/Stratoliner/Deluxe/Raider



## K&N FILTER CARE KIT

All Hyperchargers & Twin Velocity air cleaners use K&N filters. With proper maintenance, these filters will last many years. When you service your filter, your bike will run better & your engine will last longer, too.

85 | K&N Filter Care Kit | \$12.99

Note: For Corsair Air Cleaner we suggest using Filter Oil & Cleaning Kit (P/N 88 - pg 225).