

TOURING

AIR MANAGEMENT 212
BACKRESTS & LUGGAGE RACKS 215
TOURING ACCESSORIES 219



DELUXE FAIRING WITH SONY DSX-S100 RECEIVER

Küryakyn has taken our top-shelf AirMaster Fairing to the next level! It now comes with a cutting edge Sony DSX-S100 Digital Music Receiver. Our fairing has not just caught up with, but is ahead of its time. While not losing touch with traditional styling, our fairing adds subtle & classy styling improvements to set your bike apart from the crowd. The AirMaster Fairing packs industry leading conveniences with its lockable glove box, standard 12v power points, speakers designed by Hochtunes, & beautiful gloss black paint – We've taken a great product & made it even better!



FEATURES

- Gloss finish color-matched to H-D Vivid Black on outer fairing - choose to leave it black or custom paint it to match your bike
- Lightly textured black inner fairing resists finger prints & other marks
- Cigarette lighter/12V power point (left side of inner fairing)
- 4" Dark smoke windshield (interchangeable with any '96-'12 Electra Glide windshield)
- Chrome mounting brackets
- Glove Compartment featuring:
 - Sealed, lockable storage
 - Rubber mat keeps items from shifting; Easily removable for cleaning
 - Built-in cigarette lighter/12v power point
 - Door marked for easy installation of GPS mount cradles (4-hole AMPS pattern)

GREAT ACCESSORIES FOR YOUR FAIRING!

MORE FOUND ONLINE

DRAGON WING™ VARIABLE AIR DEFLECTORS

Guide airflow around the fairing for reduced turbulence during cool weather or open them for a refreshing breeze on hot days.

Fits: AirMaster Universal Deluxe Fairing

1117	Reflective Smoke (pr)	\$119.99
1108	Dark Smoke (pr)	\$99.99

WINDSHIELD TRIM

Fits: AirMaster Universal Deluxe Fairing & Sportech Fairing Plus

1199	Eagle (ea)	\$69.99
1198	Zombie (ea)	\$79.99
1379	Deluxe (ea) For AirMaster Only	\$69.99

WINDSHIELD MOUNTED MIRRORS

Sleek design blends a classy chrome windshield accent strip with gracefully curved arms to support the mirror heads.

Fits: AirMaster Universal Deluxe Fairing & Sportech Fairing Plus

1452	With Turn Signal Mirrors (set)	\$270.99
1453	With Ellipse Mirrors (set)	\$189.99
1454	Windshield Mount Only for Mirrors (ea)	\$129.99
1455	Replacement Snap Caps (set/3)	\$9.99

Note: P/N 1454 allows installation of Blind Spot Turn Signal Mirror Heads (P/N 1457 - pg 133), any Magnum Mirror Heads (pg 134), or any mirror you may have with a 1/4"-20 threaded stud.

TRADITIONAL 3-POUCH FAIRING BAG

Features three storage pockets & offers more space than the average fairing bag. Constructed from PVC leather with magnetic closures. Middle pocket measures 9.25"W x 2.75"H x 3"D. Quick & easy installation.

Dims: 20" Wide x 2.75" High x 3" Deep

Fits: Küryakyn AirMaster Fairing, & Sportech Fairing-Plus
All mounting hardware included

4178	Traditional Style 3-Pouch Fairing Bag	\$69.99
------	---------------------------------------	---------

COMPONENTS FOR AIRMASTER® FAIRING

1321	Küryakyn 5" x 7" Speakers w/Grills (pr)	\$139.99
1323	Cota Micro Screen Antenna (ea)	\$29.99
1324	Replacement Speaker Grills (pr)	\$24.99
1325	Replacement Outer Fairing Shell	\$399.99
1326	Replacement Inner Fairing	\$249.99
1327	Glove Box, Complete Assembly	\$299.99
1328	Cigarette Lighter/Power Point	\$19.99
1329	Lock/Keys	\$19.99

AUDIO FEATURES

- 5" x 7" Speakers specifically designed & tuned for use on a motorcycle by Hogtunes, Inc -No off-the-shelf car audio speakers!
- Sony Stereo – DSX-S100 Digital Music Receiver (52 watts x 4 at 4 ohms)
 - AM/FM – 30 presets (18 FM, 12 AM)
 - Integrated Tune Tray with USB connector to securely store your iPod®, Walkman® or other USB device inside the stereo
 - Direct Control of iPod* - Includes USB Connector for iPod
 - Satellite Radio/HD Radio Ready (tuners not included)
 - Flip-down Face with Front Aux In
 - 12v Trigger Output for Amplifier Turn On
 - Front & Rear/Sub Selectable RCA Pre-amp Outputs
 - Wireless Remote

Fits: Requires Motorcycle Specific Mounting Kit - Sold Separately

I336 | AirMaster Deluxe Fairing (ea) | **\$1,999.99**

Note: All existing windshields and windshield mounting hardware must be removed for proper installation. 3.5 mm & iPod cable not included. USB & iPod adapter are integrated into Sony DSX-S100.

SEALED LOCKABLE STORAGE WITH 12V POWER



STEREO COVER INCLUDED TO PROTECT FROM WEATHER OR WASHING



TUNE TRAY & RADIO



MOUNTING KITS FOR AIRMASTER® FAIRING

All existing windshield & windshield mounting hardware must be removed for proper installation. All Mounting Kits are black.

I345	Fits: All '99-'12 Yamaha Road Star (except warrior) - Black <i>Note: Works with stock turn signal bar, round OEM Driving Light Bar accessory, & Küryakyn Driving Light Bars.</i>	\$69.99
I346	Fits: All Honda '02-'08 VTX1800 Models & '03-'09 VTX1300 Models - Black <i>Note: Works with stock turn signals. Does not work with Küryakyn Driving Light Bars or Turn Signals.</i>	\$69.99
I397	Fits: All Yamaha V Star 1100 Classic/Silverado Models - Black <i>Note: Will work with Yamaha Light Bar, Does not work with Küryakyn Driving Light Bars or Turn Signals.</i>	\$69.99
I398	Fits: All '06-'12 Kawasaki Vulcan 900 Classic & LT Models - Black <i>Note: Does Not Accept Küryakyn Driving Light Bars or Turn Signals.</i>	\$69.99

MORE WINDSHIELDS FOUND ONLINE

CUSTOM WINDSHIELDS

Manufactured from premium quality, hard-coated polycarbonate.

Fits: AirMaster Universal Deluxe Fairing & Sportech Fairing Plus

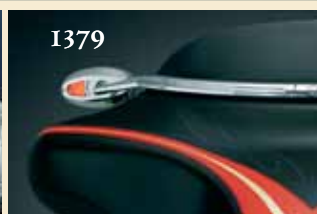
GRAPHIC 6"

I343	Firefighter (ea)	\$109.99
I361	Zombie (ea)	\$109.99
I362	Flame (ea)	\$109.99

Note: Windshields are opaque. Take into account that you must maintain a clear line of sight over the windshield. The windshield should not obstruct your vision in any way.

LIGHT & DARK SMOKE TRANSLUCENT

I355	4" Dark Smoke (ea)	\$79.99
I356	6" Light Smoke (ea)	\$79.99
I357	6" Dark Smoke (ea)	\$79.99
I358	8" Light Smoke (ea)	\$84.99
I359	8" Dark Smoke (ea)	\$84.99



BIKE MAPS

GOLDWING

CAN-AM

SPORT BIKE

LIGHTING

ACCESSORY MOUNTS

HANDLEBAR CONTROLS

FOOT CONTROLS

CHROME

LUGGAGE

TOURING

AIR CLEANERS

MISC

INDEX



Rider Shown is 6' Tall



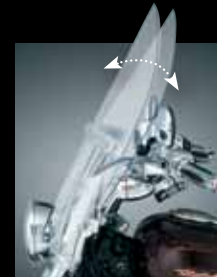
QUICK RELEASE WINDSHIELDS

FEATURES

- 6° of Angle Adjustment - Eccentric lower mounting point can be positioned forward or back during installation to tailor windshield angle
- Premium .125" Optical Grade, Hard-Coated Polycarbonate
- Interchangeable Zombie & Grooved Emblems
- Unsurpassed style - Unlike flat, plain-looking outer cross & vertical hardware, our stainless steel outer hardware is beautifully stamped & chrome-plated for a rich, classy appearance
- Three heights; Low, Mid, Tall - Choose your own look & level of wind protection



Interchangeable Emblems



6 DEGREES OF ANGLE ADJUSTMENT!

Eccentric lower mounting point can be positioned forward or back during installation to tailor windshield angle

FOR HONDA VTX1300 & 1800 WINDSHIELDS

Requires Mounting Kits (Sold Separately - Below)

TALL

2622	Light Smoke (ea)	\$299.99
2623	Clear (ea)	\$299.99

MID

2624	Light Smoke (ea)	\$299.99
2625	Clear (ea)	\$299.99

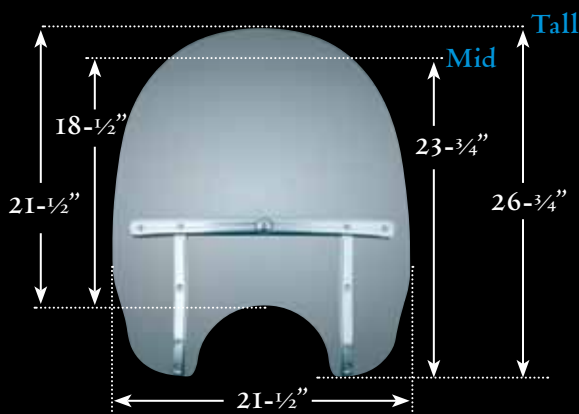
Note: Works with Driving Lights (except P/N's 5009 & 5012-5015)

MOUNTING KIT

2603	Fits: Honda VTX1300 & 1800	\$99.99
------	----------------------------	---------



2603



FOR KAWASAKI, YAMAHA, & HONDA WINDSHIELDS - Requires Mounting Kits (Sold Separately - Below)

TALL

2610	Light Smoke (ea)	\$299.99
2611	Clear (ea)	\$299.99

MID

2612	Light Smoke (ea)	\$299.99
2613	Clear (ea)	\$299.99

LOW

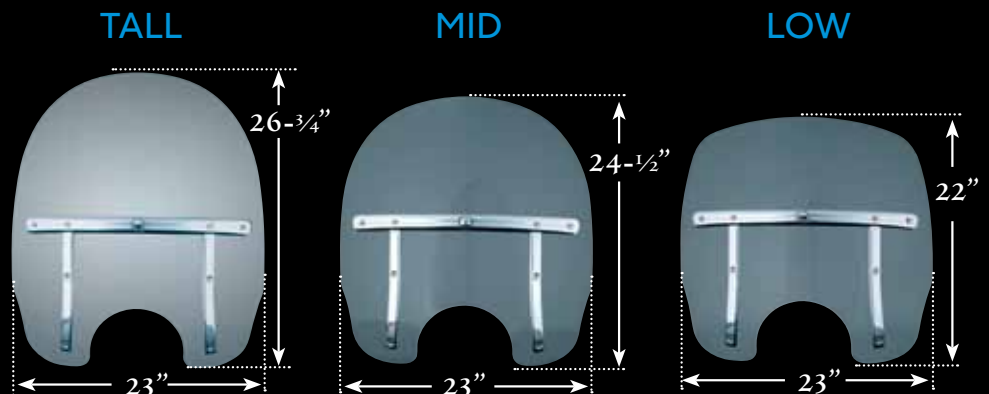
2614	Light Smoke (ea)	\$299.99
2615	Clear (ea)	\$299.99

MOUNTING KIT

2601	Fits: Vulcan 900 Custom, Yamaha Stryker, Honda VT1300 Sabre & Stateline (Only)	\$99.99
------	--	---------



2601



BACKRESTS & LUGGAGE RACKS

CONVENIENT STORAGE POUCH INCLUDED!



DRIVER BACKRESTS

Add the comfort you need to fully enjoy those motorcycle rides with this sleek Driver Backrest. With full adjustability, position your backrest into the perfect spot then lean back & enjoy the ride. Designed to allow comfortable room for passengers, it tips forward out of the way for passenger mounting & includes a storage pouch for added convenience. Once you relax on the road with this backrest, you'll wonder how you ever made it without one.

1554	Fits: '99-'12 Road Star 1600/1700 (except Warrior) (ea)	\$199.99
1555	Fits: VTX1300/1800 Retro/S (ea)	\$199.99

SWITCHABLE DRIVER/PASSENGER BACKREST

FOR VTX

A Driver Backrest & a Passenger Backrest in one cool system! Simply remove the three thumbscrews & move it to the desired position in seconds. Three mounting positions & additional adjustability found in the backrest help you get the support you're looking for. The backrest help bars function as handles for the passenger & the convenient pouch adds storage. If you ride solo some days but with a passenger on others—The Switchable Driver/Passenger Backrest is for you.

1556	Switchable Backrest (ea) Fits: '02-'08 VTX1800R/S/C/F & '03-'09 VTX1300R/S/C	\$299.99
------	---	----------

Note: Not intended to fit with additional accessories mounted at front two fender strut bolts.

THE KING OF ADJUSTABILITY!



BIKE MAPS

GOLDWING

CAN-AM

SPORT BIKE

LIGHTING

ACCESSORY MOUNTS

HANDLEBAR CONTROLS

FOOT CONTROLS

CHROME

LUGGAGE

TOURING

AIR CLEANERS

MISC

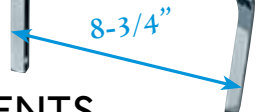
INDEX

A BACKREST
DONE YOUR WAY!

1587



1588



5-1/4" x 9-3/4"



5-1/4" x 7"



1537

BACKREST COMPONENTS

Support; we've heard of its importance from politicians to footwear ads, but here's where it hits home for you. Whether keeping your passenger happy or providing a convenient place to secure luggage, Kuryakyn is your best bet for good looking, sturdy, & comfortable backrest components. Side plates are styled to blend in with their surroundings - right down to the chrome hardware. Uprights; tall, short, & stylized; offer comfortable high-density pads that endure weather extremes & miles of use. We provide extraordinary support for exceptional bikes!

SELECT MOUNTING STRAPS, SISSY BAR, & BACKREST PAD:

MOUNTING STRAPS

Fits: All Kuryakyn backrests (except P/N 1606) or others with 8-3/4" outside mounting dimension with .55" square stock mounting & 1-1/4" mounting hole spacing for 1/4"-20 Bolt

1537	Fits: All '99-'09 V Star 1100 (pr)	\$119.99
1538	Fits: All '02-'08 VTX1800R/S/C & F, All '03-'09 VTX1300R/S/C (pr)	\$139.99

Note: Not intended for use with Models with OEM saddlebags. Not intended to fit with additional accessories in front two fender strut bolts for Honda or two mounting holes in fender strut accents for Yamaha.

SISSY BARS

Fits: Kuryakyn Backrest Mounting Straps (left) or 8-3/4" outside mounting dimension with .55" square stock mounting & 1-1/4" mounting hole spacing for 1/4"-20 Bolt

1587	Short Sissy Bar 15" Tall (ea)	\$69.99
1588	Tall Sissy Bar 20" Tall (ea)	\$79.99

BACKREST PADS

Fits: Kuryakyn Sissy Bars (except Raptor or Transformer) or other 1/2" square Sissy Bars with the same dimensions (4" inside to inside)

1601	Tall Backrest Pad (ea)	\$44.99	1603	Short Backrest Pad (ea)	\$44.99
1602	Tall Backrest Pad with Button (ea)	\$41.99	1604	Short Backrest Pad with Button (ea)	\$41.99



7156

PREMIER LUGGAGE RACK

The Premier Luggage Rack is no run-of-the-mill flat rack for your motorcycle. This fresh new design is streamlined & three-dimensional. Black

rubber inserts contrast the bright chrome finish & also provide a slip resistant surface. With front to back adjustment you can position this rack exactly where you want. Problem is, with a rack this nice, you won't want to cover it up with luggage!

Fits: Existing backrest (required), all Kuryakyn backrests (except Transformer Backrest P/N 1606) & universal applications (installs on the mounting bolt side of the side strap with the following dimensions):

- Sissy bar requires mounting bolts to be 1/4"-20 with 1-3/16" to 1-5/16" center to center spacing
- Mounting inside existing side straps with width from (5-5/8" to 6") or (7-1/4" to 7-1/2") wide
- Mounting outside existing side straps with width from (5-3/8" to 5-5/8") or (7" to 7-1/4") wide

7156	Premier Luggage Rack (ea)	\$169.99
------	---------------------------	----------



SAME GREAT STYLE WITH
UPDATED COMFORT

NEW

RAPTOR BAR PLUS

The original just got even better! All the style you've come to expect now with even more comfort thanks to the new, plusher backrest pad. At 12" tall, this forged bar is just the right height to keep your passenger happy & the bike looking good.

Fits: H-D & Standard Universal Metric 8-3/4" wide mounting with 1/4"-20 tapped threads - Requires mounting straps for installation (sold separately)

1622 Raptor Bar Plus (ea) **\$189.99**

WORKS GREAT WITH KÜRYAKYN
MOUNTING STRAPS P/N 1537 OR 1538
SHOWN LEFT



8980

1605

6-3/4"

1607

PLUG-N-PLAY FOR VT1300

U.S. Patent D415,980 & 5,984,331

Here's the easy solution for the rider who carries a passenger but doesn't like the look of conventional side plates. The Plug-N-Play bolts to the rear fender underneath the passenger seat. It accepts our low, custom Sissy Bar (P/N 8980) & Backrest Pad (P/N 1605) for passenger comfort & convenience. The backrest & pad measures 6-3/4" wide & 9-1/2" high from the rear fender.

Fits: '10-'12 VT1300 Custom Line (Stateline & Interstate Only)

1607	Plug-N-Play (ea)	\$187.99
8980	Sissy Bar (ea)	\$69.99
1605	Backrest Pad (ea)	\$69.99

Note: All necessary mounting hardware is included.

BIKE MAPS

GOLDWING

CAN-AM

SPORT BIKE

LIGHTING

ACCESSORY
MOUNTS

HANDLEBAR
CONTROLS

FOOT
CONTROLS

CHROME

LUGGAGE

TOURING

AIR CLEANERS

MISC

INDEX

TRANSFORMER™ BACKREST

WITH FOLD-DOWN LUGGAGE RACK U.S. Patent 6,966,471 & Patent Pending

Even the Moonshiners would be jealous of this backrest with hidden fold-down luggage rack. The sweeping oval bars with matching contoured pad flows with the lines of your bike. Literally fold down the inconspicuous luggage rack right out of the backrest when needed & hide it away securely with the integrated thumb-nut when you don't. Your passenger is happy, you can always bring your things, & your bike looks awesome. Mounts directly to the required Kuryakyn Motorcycle Specific Side Straps for Transformer Backrest & you have everything you need.

Fits: Kuryakyn Motorcycle Specific Side Plates for Transformer Backrest (Below)

1606 | Transformer Backrest with Fold-Down Luggage Rack (ea) | **\$199.99**



1633



1632



1606



TRANSFORMER™ BACKREST SIDE PLATES:

1632	Fits: All '99-'09 V Star 1100 Models (pr)	\$99.99
1633	Fits: All '02-'08 VTX1800R/S/C/F Models & all '03-'09 VTX1300R/S/C Models (pr)	\$119.99

Note: Only intended for installation of Kuryakyn Transformer Backrest (P/N 1606) that requires 5/16" mounting holes. Not intended for use on models w/OEM saddlebags.



5206

Dim: 13"W x 11"L x 1"H



5205

Dim: 15 1/2"W x 14"L x 1"H



5203

Dim: 14"W x 13 1/2"L



5204

Dim: 15"W x 10 1/2"L x 1/2"H

FREEDOM AIR® SEAT PAD

Unlike any seat cushion on the market, this pad utilizes two independent air valves with interconnected air cells for added relief & rider comfort where it counts. Simple to install with included attachment loops & black fitted cover.

5203 | Fits: Universal for Most 14" x 13.5" Driver Seats (ea) | **\$149.99**

SKWOOSH™ GEL MOTORCYCLE SEAT CUSHIONS

TekPad® gel relieves pressure, maintains circulation & eliminates numbness & discomfort caused by long rides. The combination of TekPad® gel, Independent Comfort Suspension (ICS) & all welded waterproof construction delivers trouble free cruising comfort in a thin (1"), lightweight (16 oz.) compact shape.

5204	Skwoosh Hopper Motorcycle Gel Cushion (ea) Fits: Smaller Driver Seats & Medium to Large Passenger Seats	\$42.99
5205	Skwoosh Universal Motorcycle Gel Cushion (ea) Fits: Works best on Large Driver Passenger Seats	\$69.99
5206	Skwoosh Mid Size Gel Cushion (ea) Fits: Works best on Mid-Large Seats, Small Stock/Solo Seats or Large Passenger Seats	\$49.99

TOURING ACCESSORIES

TRAILER HITCH BALL COVER



Fits: All 1-7/8" & 2" balls
(Includes foam lining)

7658 | Trailer Hitch Ball Cover (ea) | \$10.99



THE RIDE GUIDE

A must for people who really ride. Informative & easy to follow, Find the best places to stay, eat & see. 200 pgs.

42 | Appalachian Edition: Kentucky, West Virginia, Virginia, North Carolina & Tennessee, plus sections of 5 adjoining states | \$12.99



7671



7675

TRAILER WIRING HARNESS

New & improved - Safely & effectively apply the load from your trailer lighting to the battery & not to the rest of the bike's electrical system.

- Eliminate blown fuses caused by overloading stock lighting or accessory circuits! Our Relay harness utilizes inputs from the motorcycle to direct power from the battery to the appropriate trailer lighting circuit.
- 5 Wire Plus 1: Our kits provide standard 5 wire output (run, brake, left turn, right turn, ground) plus a bonus wire that can be connected as needed to provide fused 12v power to the trailer for compartment lights or keyless entry systems that are wired independently of the trailers essential lighting.
- 5 to 4 Wire Converter: Plugs in & allows our Wiring & Relay Kits to power trailers requiring a 4-wire harness (run, left turn/brake, right turn/brake, ground). The bonus wire is still available to provide fused 12v power to the trailer for compartment lights or keyless entry systems that are wired independently of the trailers essential lighting. (includes 4-pin flat vehicle connector)

Note: Receptacle kits are not included because the style of receptacle used on trailers varies by manufacturer.

7671	Universal Trailer Wiring & Relay Harness (ea)	\$74.99
7675	5 to 4 Wire Converter for Kuryakyn Trailer Wiring & Relay Harnesses (ea)	\$36.99

HARNESSES FOR GOLDWING
PG 74

TRAILER HITCH RECEPTACLE KIT

Great universal chrome 5-pin receptacle with mount. Two top holes for universal mounting.

Fits: Universal

7659 | 5-Pin Receptacle Kit for Kuryakyn Trailer Hitch (P/N 7652) | \$49.99



7659



7670

UNIVERSAL TRAILER RECEPTACLE KIT

Keep your trailer plug-in tucked under your rear fender for an almost invisible appearance. With included male & female plug components, this 5 pin plug-pin & universal mount kit makes wiring your trailer a snap.

Fits: Universal: Mount bracket with 3" drop down arm, both a horizontal top mounting tab & vertical left side mounting tab. (Mounting hardware not included)

7670 | Universal Trailer Receptacle (kit) | \$49.99

TRAILER HITCH RECEPTACLE

5-pin receptacle with a chrome mounting bracket.

9183 | Trailer Hitch Receptacle, Universal (ea) | \$49.99

Note: Will not install with Trailer Hitch Rack (P/N 7643).



BIKE MAPS

GOLDWING

CAN-AM

SPORT BIKE

LIGHTING

ACCESSORY MOUNTS

HANDLEBAR CONTROLS

FOOT CONTROLS

CHROME

LUGGAGE

TOURING

AIR CLEANERS

MISC

INDEX



4255



VERTICAL MOUNT FLAGS

Pride. Love of Country. Respect. Whatever the reason you choose to display Old Glory or remember our P.O.W.'s, these flags deserve to be displayed with honor & in their best light. Mount straight, securely, & with dignity. 1/2" version fits most luggage racks or any 1/2" tubing including front fender rails. 3/4" version fits saddlebag rails or any 3/4" tubing. American Flag is 6" x 11" & P.O.W. MIA Flag is 6" x 9".

4254	1/2" Vertical Flag Mount (kit)	\$69.99
4255	3/4" Vertical Flag Mount (kit)	\$69.99
4262	Replacement American Flag (ea)	\$12.99
4263	Replacement P.O.W. Flag (ea)	\$12.99



4254

FLAG POLE FOR LUGGAGE RACK

Fly your flag proudly on your luggage rack with the new & improved one-piece highly stylized flagpole. Provides more durability & the improved reinforced ratcheting system allows you to adjust the angle of the staff without tools. Includes 4" x 9" American flag.



4259	Flag Pole for Luggage Rack (ea) Fits: 1/2" Diameter Round Tube	\$79.99
4271	Canadian Flag, 4" x 9" (ea) Note: Replacement for P/Ns 4260, 4261, 4216, 4233, 4253, 4259	\$12.99
4264	Replacement American Flag (ea)	\$12.99



ANTENNA MOUNT FLAG

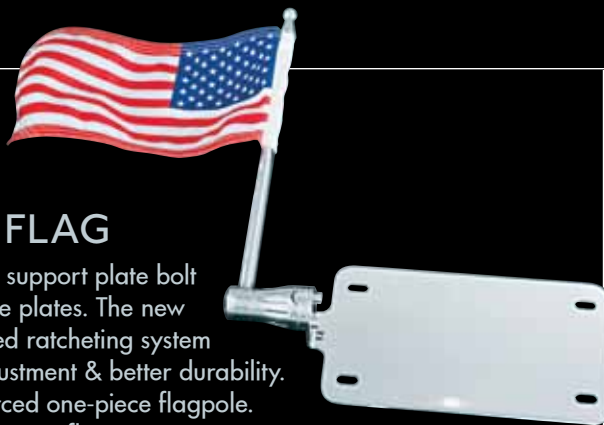
Secure this American flag to your bike's antenna quickly & easily. Includes both American flag & a plain, customizable white flag to help you stand out at the next rally. (Flags measure 6" x 8")

4217	Antenna Mount Flag (ea)	\$19.99
------	-------------------------	---------

LICENSE PLATE MOUNTED FLAG

The mount bracket & support plate bolt in behind most license plates. The new & improved reinforced ratcheting system allows for easier adjustment & better durability. Now features reinforced one-piece flagpole. Includes 4" x 9" American flag.

Fits: Universal application (Ensure motorcycle's license plate mount is sturdy enough to support force applied by flag at speed)



4261	License Plate Mounted Flag (ea)	\$99.99
4271	Canadian Flag, 4" x 9" (ea) Replacement for P/Ns 4260, 4261, 4216, 4233, 4253 & 4259	\$12.99
4264	Replacement American Flag (ea)	\$12.99

THEMED FLAGS

FOR FLAG HOLDERS

Proudly fly your favorite flag for all to see.

As an upgrade or a replacement these flags each measure

4" x 9" & are specifically made

for Kuryakyn flag mounts. Choose a themed flag or create your own design with our blank flag option.

Fits: Kuryakyn Flag Mounts, Replacement for 4" x 9" flag used on P/N's, 4216, 4233, 4253, 4259, 4260, & 4261

4271	Canadian Flag (ea)	\$12.99
4272	Don't Tread On Me Flag (ea)	\$11.99
4273	Pirate Flag (ea)	\$11.99
4274	Blank Flag (ea)	\$11.99



4274

4271

4272

4273