



# INSTALLATION

## STILETTO FOOTPEGS

4476

FITS: VARIOUS APPLICATIONS. REQUIRES MODEL SPECIFIC KURYAKYN FOOTPEG ADAPTERS, SOLD SEPARATELY.

PART#	INCLUDED
604476L	1 Stiletto Peg Assembly – Left
404476R	1 Stiletto Peg Assembly – Right
304476	1 Instruction Sheet

### NOTE

Optional domed end caps are available to replace the pointed end caps. (Sold separately).

### TOOLS SUGGESTED

3/32" Hex Key and 1/4" Extended Hex Driver, Ratchet

### PROCEDURE AVERAGE TIME: 30 MINUTES

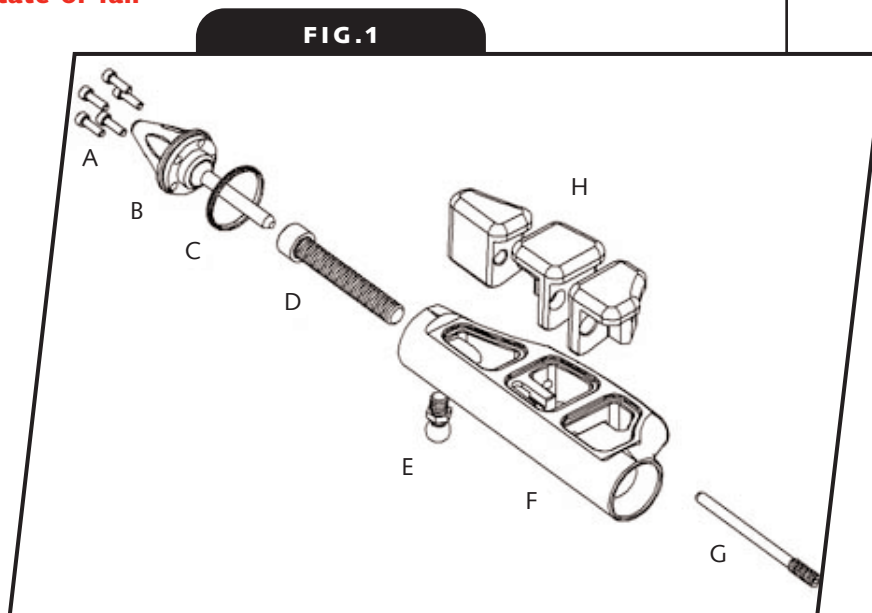
**STEP 1** With a 3/32" hex key, remove the #5-40 x 3/8" socket head cap screws (FIG.1-A), pointed end cap (FIG.1-B), and knurled trim ring (FIG.1-C) from one of the Stiletto Pegs. Remove the end rubber from the peg body (FIG.1-F) to expose the 5/16"-18 x 2" socket head cap screw (FIG.1-D).

**STEP 2** Slide the Stiletto Peg onto the footpeg adapter and with a 1/4" hex driver, screw the 5/16"-18 x 2" socket head cap screw into the peg adapter. Adjust the angle of the peg so the rider's or passenger's foot rests squarely on the rubber pads when seated on the motorcycle. Securely tighten the 5/16"-18 x 2" socket head cap screw once the adjustment is complete.

### WARNING!!

Ensure the 5/16"-18 x 2" socket head cap screw is tightened securely so the peg cannot rotate or fall off while in use. Failure to do so could result in serious injury or death.

-cont.-



**CUSTOMER SERVICE**  
877.370.3604 (toll free)

**INSTALLATION QUESTIONS**  
techsupport@kuryakyn.com  
or call 715.247.2983

### WARRANTY

Kuryakyn™ warrants that any Kuryakyn product sold hereunder, if properly installed, maintained and operated under normal conditions, shall be free from any defects in materials and workmanship for a period of one (1) year from the date the Kuryakyn products are sold to the customer.

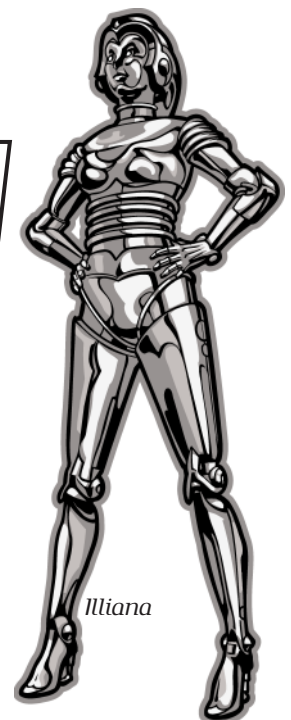
**CONSEQUENTIAL DAMAGES:**  
Kuryakyn shall not be liable for any consequential or incidental damages.

### ABOUT OUR CATALOG

You'll find all our innovations for HD, GL and Metric Cruisers in our annual catalogs. Order online today—select the "CATALOGS" icon. Each Kuryakyn™ product comes with a Proof-of-Purchase good for a complimentary catalog. Details in packaging.

Be sure to ask your local dealer about other Kuryakyn products, the motorcycle parts and accessories designed for riders by riders.

©2004 Kuryakyn USA™ All Rights reserved.



**STEP 3** Reinstall end rubber, knurled trim ring, end cap, and the #5-40 x 3/8" socket head cap screws.

**STEP 4** Repeat STEP 1 through STEP 3 for the other Stiletto Peg.

*Ride On!*

**Kuryakyn™**

PAGE

**2**