



OFFSET MOUNTS

7966

WITH DUALY ISO-PEGS AND 1-1/8" MAGNUM QUICK CLAMPS

FITS: 1-1/8" ENGINE GUARDS

PARTS INCLUDED

- 2 Dually ISO™ Pegs
- 2 Offset Mounts
- 2 1-1/8" Magnum Quick Clamps
- 1 Installation Instructions

Please read and understand entire instructions before starting installation.

THANK YOU FOR CHOOSING KÜRYAKYN!

IN ORDER TO PROTECT YOU AND OTHERS FROM POSSIBLE INJURY AND/OR PROPERTY DAMAGE OR LOSS, PLEASE PAY CLOSE ATTENTION TO ALL INSTRUCTIONS, WARNINGS, CAUTIONS AND ATTENTION NOTES REGARDING THE USE AND CARE OF THIS PRODUCT.

WARNING! THIS INDICATION ALERTS YOU TO THE FACT THAT IGNORING THE CONTENTS DESCRIBED HEREIN CAN RESULT IN POTENTIAL DEATH OR SERIOUS INJURY.

CAUTION! This indication alerts you to the fact that ignoring the contents described herein can result in potential injury or material damage.

ATTENTION! This indication alerts you to the fact that ignoring the contents described herein may negatively affect product performance and functionality.

TOOLS SUGGESTED

Set of hex wrenches, combination wrenches, or socket set and ratchet.

STRICTLY OBSERVE THE FOLLOWING GUIDELINES IN ORDER TO USE THE PRODUCT PROPERLY AND AVOID POTENTIALLY DANGEROUS ACCIDENTS.

PROCEDURE

STEP 1 Read and understand all steps in the instructions before starting the installation. Park the motorcycle on a hard, level surface and turn off the ignition.

STEP 2 Referring to FIG.1, remove the " bolt, spacer, and lock washer, from the offset arm. Set these items aside for now, they will be used to install the offset.

STEP 3 Determine the approximate desired location of the peg and mark the location of the clamp on the engine guard with masking tape or similar type of tape.

ATTENTION! The clamp may scratch or mar the surface it is being attached to.

-cont-



CUSTOMER SERVICE

877.370.3604 (toll free)

INSTALLATION QUESTIONS

techsupport@kuryakyn.com or call 715.247.2983

LIMITED WARRANTY

Kuryakyn warrants that any Kuryakyn products sold hereunder, shall be free of defects in materials and workmanship for a period of one (1) year from the date of purchase by the consumer excepting the following provisions:

- Kuryakyn shall have no obligation in the event the customer is unable to provide a receipt showing the date the customer purchased the product(s).
- The product must be properly installed, maintained and operated under normal conditions.
- Kuryakyn makes no warranty, expressed or implied, with respect to any gold plated products.
- Kuryakyn shall not be liable for any consequential and incidental damages, including labor and paint, resulting from failure of a Kuryakyn product, failure to deliver, delay in delivery, delivery in nonconforming condition, or for any breach of contract or duty between Kuryakyn and a customer.
- Kuryakyn products are often intended for use in specific applications. Kuryakyn makes no warranty if a Kuryakyn product is used in applications other than intended.
- Kuryakyn electrical products are warranted for one (1) year from the date of purchase by the consumer. Components of Kuryakyn products containing L.E.D.s will be warranted for defects in materials and workmanship for 3 years from the date of purchase.
- Kuryakyn makes no warranty of any kind in regard to other manufacturer's products distributed by Kuryakyn. Kuryakyn will pass on all warranties made by the manufacturer and where possible, will expedite the claim on behalf of the customer, but ultimately, responsibility for disposition of the warranty claim lies with the manufacturer.

ABOUT OUR CATALOG

You'll find all our innovations for H-D, GL and Metric Cruisers in our annual catalogs. Order online today—select the "CATALOGS" icon. Each Kuryakyn product comes with a Proof-of-Purchase good for a complimentary catalog. Details in packaging.

Be sure to ask your local dealer about other Kuryakyn products, the motorcycle parts and accessories designed for riders by riders.

©2005 Kuryakyn USA All Rights reserved.



**STEP 4** Place the clamp over the engine guard at the mark; center the spacer between the arms of the clamp. (See FIG.1.)

**ATTENTION!** Determine the mounting location and orientation of the Magnum Clamp before fully tightening the fasteners. The clamp may leave marks when tightened down.

**STEP 5** Slide the bolt through one of the splined lock washers, through the clamp arms and spacer, making sure that the spacer is between the clamp arms; then through the remaining splined lock washer.

**NOTE** Spacer washer must be installed between clamp halves! Failure to do so may result in unsecured clamping or damage to the clamp.

**STEP 6** Holding the clamp in position, thread the offset onto the bolt and tighten. The clamp will compress around the engine guard as the bolt is tightened.

**STEP 7** Check the peg for proper location. If necessary, you can loosen the bolt that secures the clevis to the arm & adjust the peg mount and clamp position for maximum rider comfort. Tighten the bolt securely (refer to PIC.1).

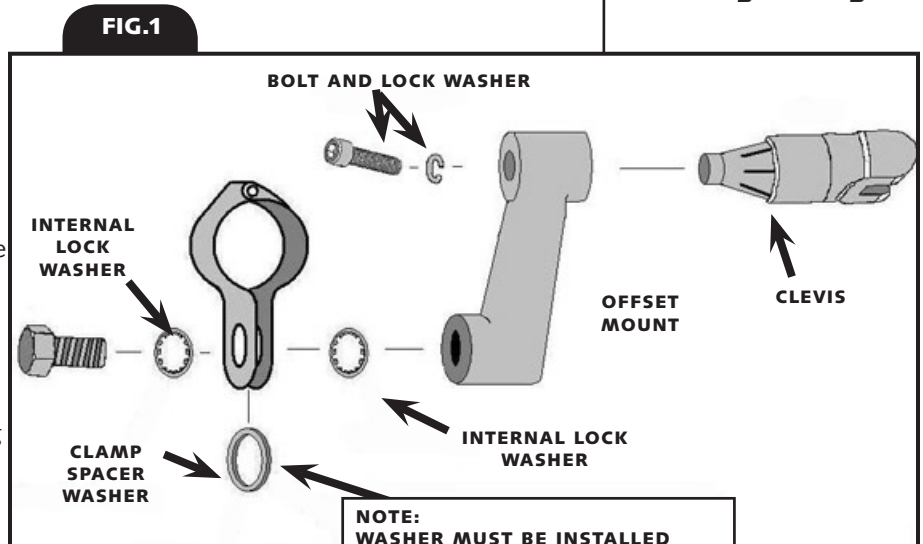
**STEP 8** Repeat STEP 2 through STEP 7 for the opposite side.

**WARNING!** CHECK TO MAKE SURE THAT THERE IS PROPER CLEARANCE WHEN CORNERING. LOSS OF CONTROL OF THE MOTORCYCLE AND SERIOUS INJURY MAY OCCUR IF THE PEG/ARM IS NOT POSITIONED PROPERLY. REPOSITION THE OFFSETS IF NECESSARY SO THAT THERE IS ADEQUATE CORNERING CLEARANCE.

**STEP 9** Tighten all fasteners.

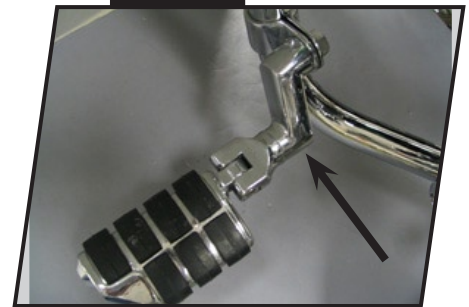
**ATTENTION!** It is the installer's responsibility to ensure that all of the fasteners (including pre-assembled) are tightened before operation of the motorcycle. Kuryakyn will not warranty components lost due to improper installation. Periodic maintenance may be required.

**Kuryakyn®**



**NOTE:** WASHER MUST BE INSTALLED BETWEEN CLAMP HALVES! FAILURE TO DO SO MAY RESULT IN UNSECURE CLAMPING OR DAMAGE TO THE CLAMP!

**PIC.1**



*Ride On!*