



FORK BRACE FOR GL 1800 8615

SMALL HEAD, STANDARD STEM

FITS: ALL '01-UP GL1800 (EX. AIRBAG MODELS)

PARTS INCLUDED

- 1 GoldWing Fork Brace
- 1 Installation Instructions

Please read and understand entire instructions before starting installation.

THANK YOU FOR CHOOSING KÜRYAKYN!

IN ORDER TO PROTECT YOU AND OTHERS FROM POSSIBLE INJURY AND/OR PROPERTY DAMAGE OR LOSS, PLEASE PAY CLOSE ATTENTION TO ALL INSTRUCTIONS, WARNINGS, CAUTIONS AND ATTENTION NOTES REGARDING THE USE AND CARE OF THIS PRODUCT.

ATTENTION! This indication alerts you to the fact that ignoring the contents described herein may negatively affect product performance and functionality.

TOOLS SUGGESTED

Set of hex wrenches, warm soapy water and clean rag.

STRICTLY OBSERVE THE FOLLOWING GUIDELINES IN ORDER TO USE THE PRODUCT PROPERLY AND AVOID POTENTIALLY DANGEROUS ACCIDENTS.

PROCEDURE

STEP 1 Read and understand all steps in the instructions before starting the installation. Park the motorcycle on a hard, level surface and turn off the ignition.

STEP 2 Remove the front fender by removing the 4 setting bolts and two rubber washers on the two lower bolts as shown in FIG. 1.

STEP 3 Remove the fork cover by removing the two bolts and trim clip shown in FIG. 2. The cover, bolts and trim clip will not be re-installed.

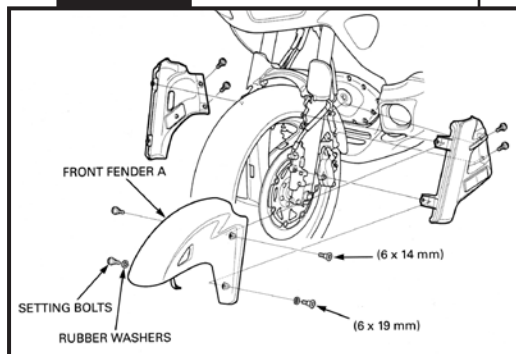
STEP 4 Clean the forks with warm soapy water and a clean rag, rinse, and allow them to dry.

STEP 5 Remove the bridge from the assembly by removing the four screws as shown in PIC. 1.

STEP 6 Remove the screws securing the clamp halves together.

-cont.-

FIG. 1



CUSTOMER SERVICE

877.370.3604 (toll free)

INSTALLATION QUESTIONS

techsupport@kuryakyn.com
or call 715.247.2983

LIMITED WARRANTY

Kuryakyn warrants that any Kuryakyn products sold hereunder, shall be free of defects in materials and workmanship for a period of one (1) year from the date of purchase by the consumer excepting the following provisions:

- Kuryakyn shall have no obligation in the event the customer is unable to provide a receipt showing the date the customer purchased the product(s).
- The product must be properly installed, maintained and operated under normal conditions.
- Kuryakyn makes no warranty, expressed or implied, with respect to any gold plated products.
- Kuryakyn shall not be liable for any consequential and incidental damages, including labor and paint, resulting from failure of a Kuryakyn product, failure to deliver, delay in delivery, delivery in non-conforming condition, or for any breach of contract or duty between Kuryakyn and a customer.
- Kuryakyn products are often intended for use in specific applications. Kuryakyn makes no warranty if a Kuryakyn product is used in applications other than intended.
- Kuryakyn electrical products are warranted for one (1) year from the date of purchase by the consumer. Components of Kuryakyn products containing L.E.D.s will be warranted for defects in materials and workmanship for 3 years from the date of purchase.
- Kuryakyn makes no warranty of any kind in regard to other manufacturer's products distributed by Kuryakyn. Kuryakyn will pass on all warranties made by the manufacturer and where possible, will expedite the claim on behalf of the customer, but ultimately, responsibility for disposition of the warranty claim lies with the manufacturer.

ABOUT OUR CATALOG

You'll find all our innovations for H-D, GL and Metric Cruisers in our annual catalogs. Order online today—select the "CATALOGS" icon. Each Kuryakyn® product comes with a Proof-of-Purchase good for a complimentary catalog. Details in packaging.

Be sure to ask your local dealer about other Kuryakyn products, the motorcycle parts and accessories designed for riders by riders.

©2005 Kuryakyn USA® All Rights reserved.



STEP 7 Install the clamp halves over the forks, the cutouts will face the back on the bike, and the larger cutout as shown in PIC. 2 will go on the right fork, and the smaller cutout will be placed on the left fork.

STEP 8 Reinstall the screws that secure the clamp halves, do not tighten these screws yet.

STEP 9 Place the bridge on the clamps, so that the lip as shown in PIC. 3 will be facing forward and install the screws that were removed in STEP 5; do not tighten them yet.

STEP 10 Finger tighten the fasteners securing the clamp halves and slide the fork brace down the forks until both sides are resting on the lower fork tubes.

STEP 11 Tighten the fasteners on the front of the clamps until the gap between the clamp halves is closed, and then tighten the rear fasteners on each clamp.

STEP 12 Tighten the screws that secure the bridge to the clamps using a cross pattern.

STEP 13 Ensure that all the fasteners in the brace are tight.

STEP 14 Reinstall the front fender, using the bolts and rubber washers that were removed in STEP 2.

ATTENTION! It is the installer's responsibility to ensure that all of the fasteners (including pre-assembled) are tightened before operation of the motorcycle. Küryakyn will not warranty components lost due to improper installation. Periodic maintenance may be required.

Ride On!

