



SKULL AIR CLEANER COVER FOR S&S 9940

REPLACES TEARDROP COVER ON S&S E OR G CARBURETORS ONLY

PART #	INCLUDED
409940	1 Skull Head Cover
909940	1 Hardware Kit for Skull Head Cover Including the Following:
	3 1/4" – 20 x 1" SHCS
	3 Plastic Washer
	1 Extended Enricher Tab
309940	1 Installation Instructions

THANK YOU FOR CHOOSING KURYAKYN!

PROCEDURE

STEP 1 Remove the 3 screws that hold the tear drop cover in place. Remove the cover and air filter. These screws will not be reused.

STEP 2 Remove the 3 screws that hold the back plate to the carb and the two breather bolts. Pay close attention to the placement of the washers on the breather bolts. . These fasteners will be reused. See [PIC.1](#).

STEP 3 See [PIC.2](#). Remove the enricher assembly from the back plate. Play close attention to the order of the pieces involved in this step. [FIG.1](#) on page 2 will be helpful.

STEP 4 Install the new enricher tab to the back plate.

STEP 5 Install back plate to S&S carb paying close attention to lining up the enricher to the tabs. See [PIC.3](#). Tighten these 3 fasteners to 10-12 ft-lbs and the breather bolts to 10-12 ft-lbs.

STEP 6 Install air filter and secure your new Skull Head Cover using the supplied 1/4"-20 x 1" SHCS.

NOTE Blue Loc Tight is suggested to secure these 3 screws in STEP 6.

STEP 7 Before starting engine make sure all fasteners are secure and throttle is operating free.

-cont.-

PIC.1



PIC.2



PIC.3



CUSTOMER SERVICE

877.370.3604 (toll free)

INSTALLATION QUESTIONS

techsupport@kuryakyn.com
or call 715.247.2983

LIMITED WARRANTY

Kuryakyn warrants that any Kuryakyn products sold hereunder, shall be free of defects in materials and workmanship for a period of one (1) year from the date of purchase by the consumer excepting the following provisions:

- Kuryakyn shall have no obligation in the event the customer is unable to provide a receipt showing the date the customer purchased the product(s).
- The product must be properly installed, maintained and operated under normal conditions.
- Kuryakyn makes no warranty, expressed or implied, with respect to any gold plated products.
- Kuryakyn shall not be liable for any consequential and incidental damages, including labor and paint, resulting from failure of a Kuryakyn product, failure to deliver, delay in delivery, delivery in nonconforming condition, or for any breach of contract or duty between Kuryakyn and a customer.
- Kuryakyn products are often intended for use in specific applications. Kuryakyn makes no warranty if a Kuryakyn product is used in applications other than intended.
- Kuryakyn electrical products are warranted for one (1) year from the date of purchase by the consumer. Components of Kuryakyn products containing L.E.D.s will be warranted for defects in materials and workmanship for 3 years from the date of purchase.
- Kuryakyn makes no warranty of any kind in regard to other manufacturer's products distributed by Kuryakyn. Kuryakyn will pass on all warranties made by the manufacturer and where possible, will expedite the claim on behalf of the customer, but ultimately, responsibility for disposition of the warranty claim lies with the manufacturer.

ABOUT OUR CATALOG

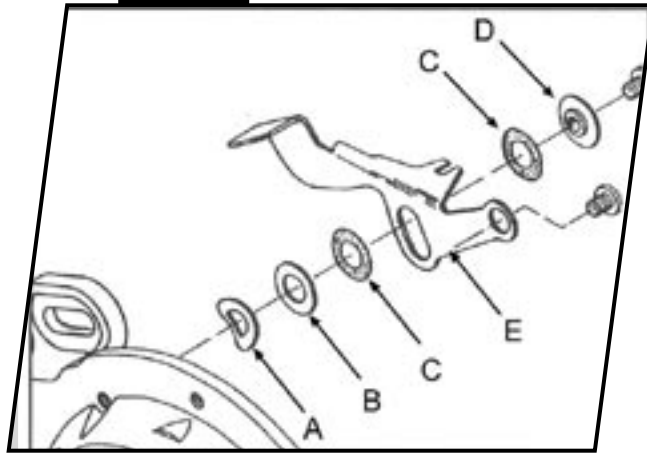
You'll find all our innovations for H-D, GL and Metric Cruisers in our annual catalogs. Order online today—select the "CATALOGS" icon. Each Kuryakyn™ product comes with a Proof-of-Purchase good for a complimentary catalog. Details in packaging.

Be sure to ask your local dealer about other Kuryakyn products, the motorcycle parts and accessories designed for riders by riders.

©2005 Kuryakyn USA™ All Rights reserved.



FIG.1



- A: Metal Spring Washer
- B: Metal Flat Washer
- C: Plastic Washer
- D: Brass Spacer
- E: Enrichner Tab

Ride On!