

INSTALLATION INSTRUCTIONS

BILLET HANDLEBAR RISERS

6130 12" RISER CHROME, 6133 5" RISER CHROME, 6134 8" RISER CHROME, 6131 12" RISER BLACK, 6132 5" RISER BLACK OR 6135 8" RISER BLACK

THANK YOU FOR CHOOSING KURYAKYN!

Protect yourself and others from possible injury and property damage or loss. Pay close attention to all instructions, warnings, cautions, and notices regarding the installation, use, and care of this product.

⚠ WARNING THIS INDICATION ALERTS YOU TO THE FACT THAT IGNORING THE CONTENTS DESCRIBED HEREIN CAN RESULT IN POTENTIAL DEATH OR SERIOUS INJURY.

⚠ CAUTION THIS INDICATION ALERTS YOU TO THE FACT THAT IGNORING THE CONTENTS DESCRIBED HEREIN CAN RESULT IN MINOR OR MODERATE POTENTIAL INJURY.

NOTICE THIS INDICATION ALERTS YOU TO THE FACT THAT IGNORING THE CONTENTS DESCRIBED HEREIN MAY NEGATIVELY AFFECT PRODUCT PERFORMANCE AND FUNCTIONALITY OR DAMAGE THE PRODUCT ITSELF OR THE PRODUCT TO WHICH IT IS BEING ATTACHED.

ENSURE THAT THE FOLLOWING PARTS HAVE BEEN INCLUDED IN THE KIT:

2	Risers	2	Spacers
1	Riser Clamp	8	5/16" x 1" Socket Head Cap Screws

YOU WILL ALSO NEED:

Socket and socket bit set, ft-lbs (Nm) torque wrench, blue Loctite

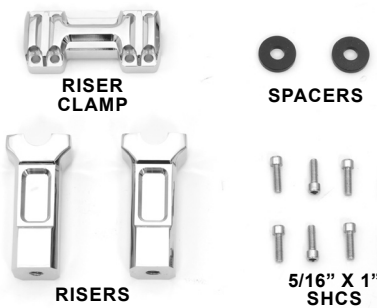
NOTICE THESE INSTALLATION INSTRUCTIONS CONTAIN IMPORTANT INFORMATION. ENSURE THE END USER RECEIVES THIS COPY AND IS AWARE OF ITS IMPORTANCE FOR FUTURE USE.

⚠ WARNING A FACTORY SERVICE MANUAL WILL BE HELPFUL IN PERFORMING THIS INSTALLATION. DO NOT ATTEMPT TO PERFORM THIS INSTALLATION IF YOU ARE NOT CONFIDENT IN YOUR ABILITY TO COMPLETE ALL OF THE STEPS IN THE PROCEDURE; CONSULT A TRAINED TECHNICIAN. IMPROPER INSTALLATION COULD RESULT IN SERIOUS INJURY OR DEATH.

Note: Longer length hand control cables and wiring will likely be needed to be installed with the handlebar risers. These instructions only cover the installation of the new risers, and not how to remove or install hand controls or cables. Refer to your motorcycle's service manual for assistance for removal of existing handlebar and hand controls, or consult with a trained technician.

STEP 1 Read and understand all steps in the instructions before starting the installation. Park the motorcycle on a hard, level surface and turn off the ignition. Let motorcycle cool.

STEP 2 Refer to PIC 2 and 3. Remove existing switch housings, levers, and grips (if applicable) from handlebar. Remove existing handlebar. Remove existing handlebar risers/clamps, paying attention to the mounting hardware under the upper fork bracket and the order of which it was removed. Set aside the mounting hardware of the handlebar risers/clamps that were removed from under the upper fork bracket, they will be reused.



PIC 1



'95 DYNA SHOWN IN PHOTOS



PIC 3

INSTALLATION INSTRUCTIONS

BILLET HANDLEBAR RISERS

-CONTINUED-

- STEP 3** Refer to PIC 4-6. Locate the mounting hardware that was removed from under the upper fork bracket in Step 2. Locate provided Risers and Spacers. The use of the spacers is optional. Test fit the spacers on top of the upper fork bracket mounting holes, with the risers placed on top, to determine if you will use the spacers.

Note: OEM mounting hardware from the upper fork bracket will vary between all models.

- STEP 4** Refer to PIC 7 and 8. Align and place risers on top of the spacer on top of the upper fork bracket. Assemble the OEM hardware in the order of which it was removed in Step 2, and secure the risers to the upper fork bracket. Do not fully tighten hardware just yet.

Note: Pay attention to the sides of the provided Risers, one side is smooth and the other has a debossed accent. The accented side on both risers should face outwards.

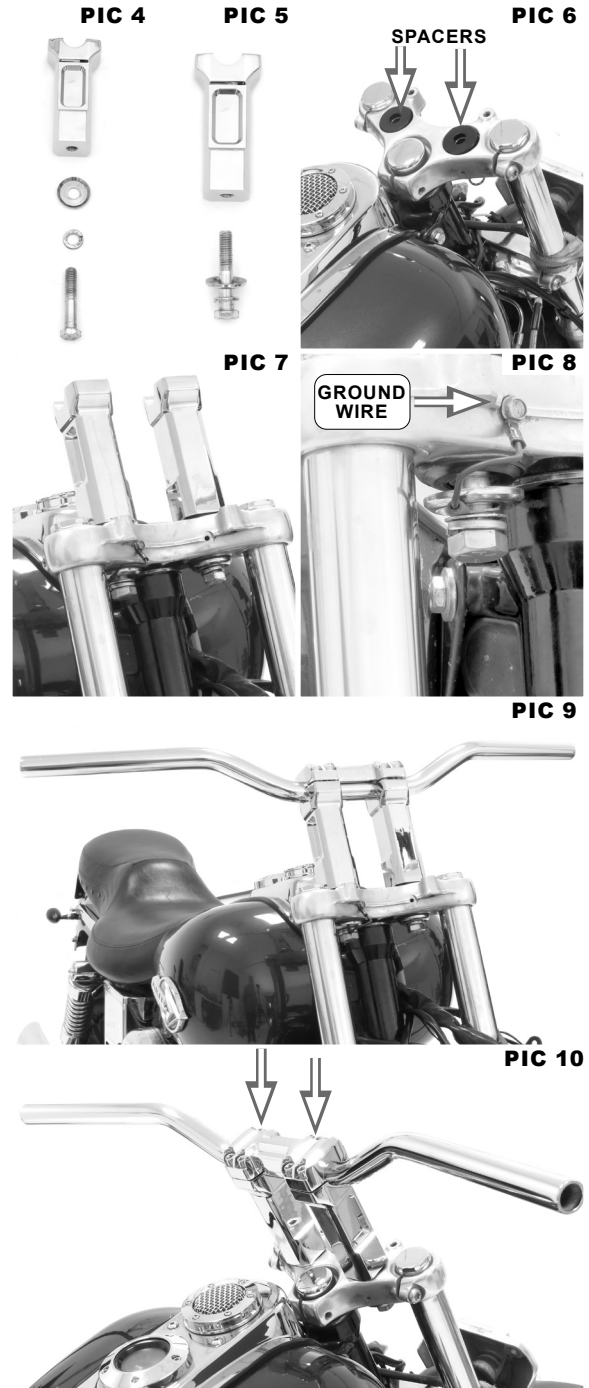
Note: Refer to PIC 8. If motorcycle is equipped with a ground wire fastened to the upper fork bracket and the OEM mounting hardware for the risers, reconnect the ground wire to the mounting hardware in the same order that it was removed.

- STEP 5** Locate provided Riser Clamp, eight (8) Socket Head Cap Screws, and sold separate 1" handlebar. Apply a small amount of blue Loctite to the threads of the screws.

- STEP 6** Refer to PIC 9 and 10. Align the handlebar on top of the Risers. Align the Riser Clamp over the handlebar and with the mounting holes on top of the Risers. Secure the clamp to the risers using the provided screws. Do not fully tighten hardware yet.

- STEP 7** Install handlebar controls, grips, and cables to the new handlebar. Test for proper function of all controls before fully tightening all hardware, and before riding.

Note: If longer cables need to be installed, do that now before fully tightening all the hardware. Refer to your service manual for additional assistance, or consult with a trained technician.



INSTALLATION INSTRUCTIONS

BILLET HANDLEBAR RISERS

-CONTINUED-

STEP 8 Once handlebars and controls are adjusted and set in the desired location fully tighten the riser clamps and the OEM upper fork bracket mounting hardware.

Torque values will vary between models, refer to your service manual for more accurate torque specifications. Torque values listed below are a rough estimate.

TORQUE VALUE FOR CLAMP TO RISER BOLTS:
12-16 ft-lbs (16.3-21.7 Nm)

TORQUE VALUE FOR RISER FASTENERS:
30-40 ft-lbs (40.7-54.3 Nm)

STEP 9 Secure the cables and wires in a safe place. Be sure to fasten them where they won't pinch, pull, or be damaged.

⚠ WARNING ENSURE PROPER OPERATION OF ALL HANDLEBAR CONTROLS BEFORE RIDING THE MOTORCYCLE. IF YOU ARE NOT CONFIDENT IN YOUR COMPLETION OF ALL OF THE STEPS IN THE PROCEDURE; CONSULT A TRAINED TECHNICIAN. IMPROPER INSTALLATION COULD RESULT IN SERIOUS INJURY OR DEATH.

NOTICE IT IS THE INSTALLER'S RESPONSIBILITY TO ENSURE THAT ALL OF THE FASTENERS (INCLUDING PRE-ASSEMBLED) ARE TIGHTENED BEFORE OPERATION OF THE MOTORCYCLE. KURYAKYN WILL NOT PROVIDE WARRANTY COVERAGE ON PRODUCTS OR COMPONENTS LOST DUE TO IMPROPER INSTALLATION OR LACK OF MAINTENANCE. PERIODIC INSPECTION AND MAINTENANCE ARE REQUIRED ON ALL FASTENERS.



INSTALLATION INSTRUCTIONS

BILLET HANDLEBAR RISERS

-CONTINUED-

LIMITED WARRANTY

Kuryakyn warrants that any Kuryakyn products sold hereunder, shall be free of defects in materials & workmanship for a period of one (1) year from the date of purchase by the consumer excepting the following provisions:

1. Kuryakyn shall have no obligation in the event the customer is unable to provide a receipt showing the date the customer purchased the product(s).
2. The product must be properly installed, maintained & operated under normal conditions.
3. Kuryakyn shall not be liable for any consequential & incidental damages, including labor & paint, resulting from failure of a Kuryakyn product, failure to deliver, delay in delivery, delivery in nonconforming condition, or for any breach of contract or duty between Kuryakyn & a customer.
4. Kuryakyn products are often intended for use in specific applications. Kuryakyn makes no warranty if a Kuryakyn product is used in applications other than intended.
5. Kuryakyn electrical products are warranted for one (1) year from the date of purchase by the consumer. L.E.D.'s contained in components of Kuryakyn products will be warranted for defects in materials & workmanship for 3 years from the date of purchase whereas all other components shall be warranted for one (1) year.
6. All warranty claims must be directed to the place of purchase. Merchandise sold through internet auction sites or any other unauthorized reseller shall not carry a Kuryakyn warranty. If unsure, please contact the place of purchase to verify they are an authorized Kuryakyn reseller.

RETURN POLICY

Merchandise determined to be defective may be returned up to one year from the date of purchase. Returns must be processed through original seller. Returned merchandise for any other reason other than warranty claims must be in like new condition & subject to a 20% restocking fee. All returns are subject to inspection for determination of full or partial credit. Any returned part that shows evidence of being used or installed contrary to manufacturer's instructions, &/or subjected to improper handling, packaging or return shipping by the customer, will not be eligible for exchange, refund or warranty consideration. All returned electrical items will be inspected & tested. If electrical item is deemed functional, no credit will be issued & item will be returned. All sales are final on discontinued or closeout merchandise.

©2015 KURYAKYN HOLDINGS, LLC ALL RIGHTS RESERVED

KURYAKYN, KURYAKYN K logo and the marks appearing on this instruction sheet are registered and common law trademarks of Kuryakyn Holdings except noted third-party trademarks. A full listing of trademarks and trademark registrations owned by Kuryakyn Holdings can be found at www.kuryakyn.com/legal-notice.

Emissions Notice: The California Air Resources Board (CARB) does not permit the use of aftermarket emission-related parts(s) that alter the performance of OEM emission-related devices unless CARB has issued an Executive Order, other than on racing vehicles on closed courses. Check your local laws and manufacturer's information.

Listed Manufacturers and product model names are for reference only. All product and company names are trademarks or registered trademarks of their respective holders. Use of them does not imply any affiliation with or endorsement by them. All specifications are subject to change without notice.

For additional information on third-party product and company names, please consult our Web page at www.kuryakyn.com/legal-notice

